

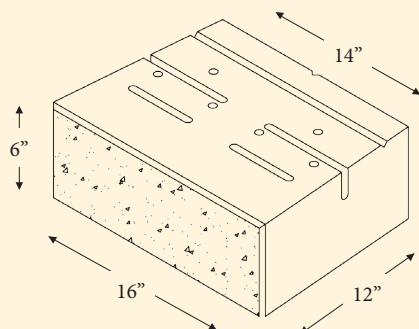


VERSA-LOK® RETAINING WALL UNITS

EASY-TO-INSTALL, SEGMENTAL UNITS WITH A COMPLIMENTARY DESIGN FINISH

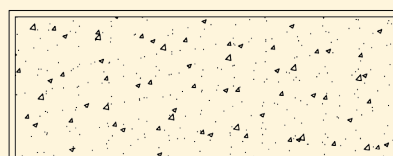
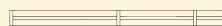


STANDARD UNIT



Standard Unit Pin
(2 Per Unit)

6 4/5"

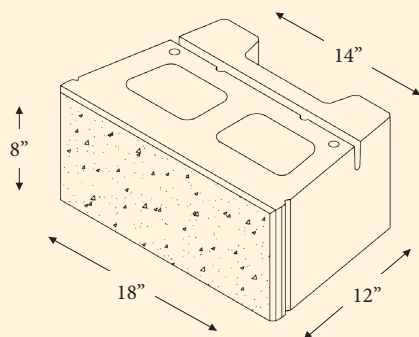


(Panel View)

FINISHES:
Smooth-Face, Split-Face,
Weathered

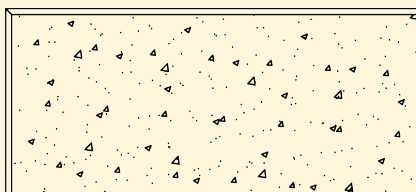
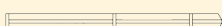
EDGES:
Straight, Tumbled

SQUARE FOOT UNIT



Square Foot Unit Pin
(2 Per Unit)

6 4/5"



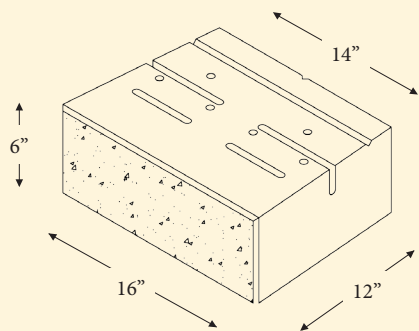
(Panel View)

FINISHES:
Split-Face

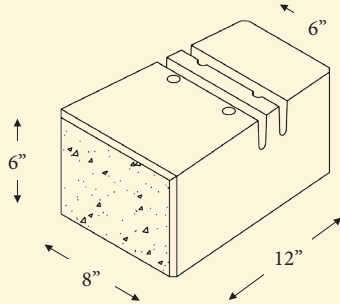
EDGES:
Straight

MOSAIC PATTERN UNITS*

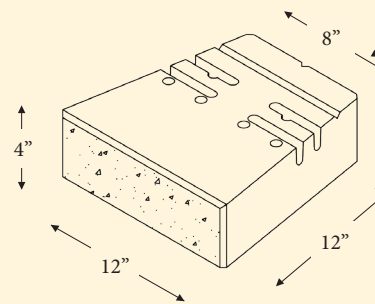
*Mosaic wall systems are created by combining three individual units (below). See VERSA-LOK Installation Guide for more panel information.



Standard Unit



Cobble Unit

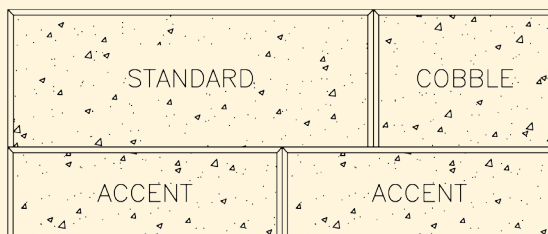
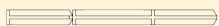


Accent Unit

Mosaic "Snap Off" Pin
(2 Per Unit)

6 3/4"

4 5/8"



(Mosaic Panel View)

FINISHES:
Split-Face, Weathered

EDGES:
Straight, Tumbled



FINISHES



Smooth-Face

SIZES:
Standard



Split-Face

SIZES:
Standard, Square Foot, Mosaic



Weathered

SIZES:
Standard, Mosaic

EDGES



Straight

SIZES:
Standard, Square Foot, Mosaic



Tumbled

SIZES:
Standard, Mosaic

COLORS



Buff



Chestnut



Gray



Normandy



Sequoia

NOTE: Images shown above demonstrate each color in a standard size unit with a weathered finish and tumbled edges.

