

# Stone Designs





## 03 RENAISSANCE® MASONRY UNITS

03 Renaissance® Masonry Units



## 05 THIN-CLAD PRODUCTS

05 Thin-Clad Renaissance® Units

07 Stack

08 Coastal Series and Midtown



## 09 ADAIR® LIMESTONE

09 Thin Adair® Limestone Products

09 Adair® Clip

10 Adair® Tile

10 Thin Adair® Limestone

11 Full Bed Adair® Limestone Products

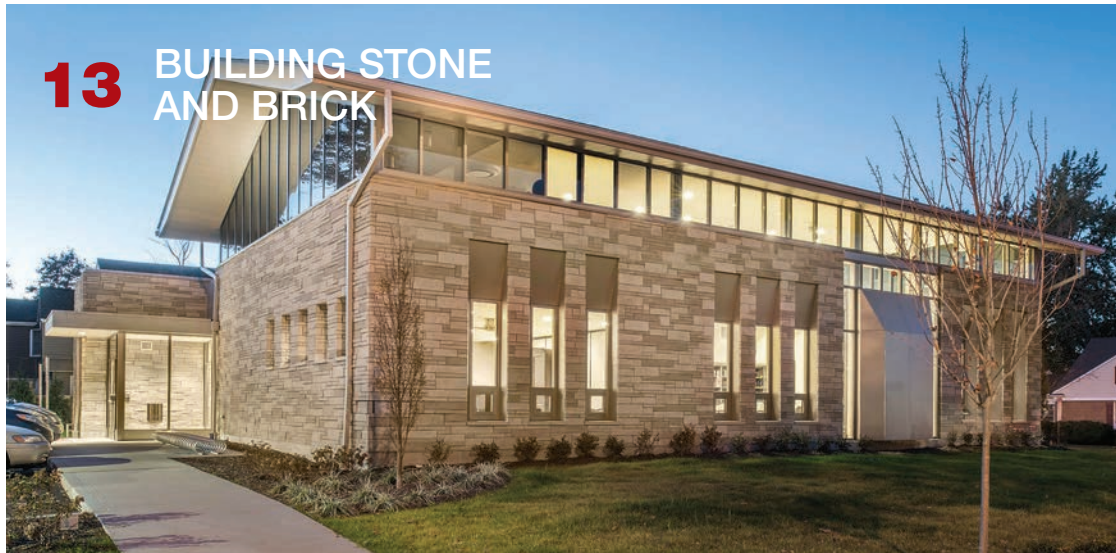
11 Adair® Studio

12 Adair® Georgian Blend

12 Adair® Parliament

“ Arriscraft stone brings timeless elegance to our modern design.  
The best products, the best service, the best results.

MILAN MALINOVIC, PRINCIPAL  
Design Cooperative, LLC



## 13 BUILDING STONE AND BRICK

- |   |                                       |
|---|---------------------------------------|
| <b>15</b> Evolution Masonry Units           | <b>20</b> Custom Shapes & Accessories |
| <b>15</b> Metropolitan                      |                                       |
| <b>16</b> Shadow Stone®                     | <b>21</b> Cumberland                  |
| <b>16</b> Citadel®                          | <b>21</b> Old Country                 |
| <b>17</b> Laurier                           | <b>22</b> Matterhorn                  |
| <b>17</b> Fresco                            |                                       |
| <b>18</b> Edge Rock                         | <b>23</b> ARRIS-cast Cast Stone       |
| <b>18</b> Urban LedgeStone                  |                                       |
| <b>19</b> Architectural Linear Series Brick |                                       |
| <b>19</b> Contemporary Brick                |                                       |

- 24** Creativity
- 25** The Natural Edge®
- 26** Education
- 26** Technical Support

## ABOUT ARRISCRAFT

For 70 years, Arriscraft has produced premium stone with exceptional performance, beauty and flexibility.

We're always looking towards innovation, and continue to add new products and systems.

Full bed masonry, thin building systems, cast stone and quarried stone make up our truly comprehensive selection. From old-world to contemporary – there's something for everyone.

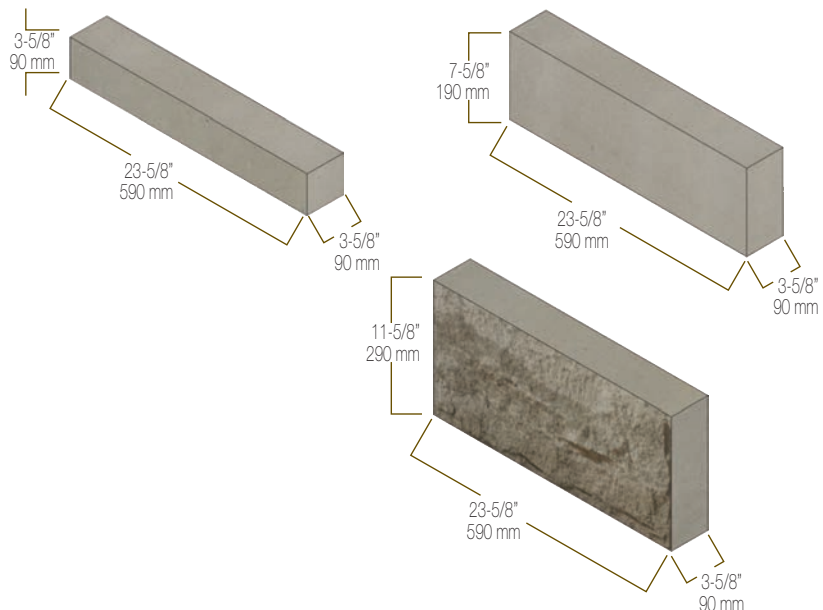
## Renaissance® Masonry Units

Renaissance® Masonry Units are manufactured to mirror natural stone formation, resulting in exceptionally tight dimensional tolerances, high strength and density, natural absorption and outstanding durability.

A cement-free formulation and high temperature autoclave cure means the net shrinkage normally associated with cement-based products is insignificant. Renaissance® can be used for both exterior and interior masonry veneer applications.

Renaissance® Masonry Units have been developed to withstand the most severe climates and are time-tested in extreme hot and cold environments. Lasting natural colors ensure that fading and bleaching will not occur over time. The stone breathes and ages naturally. Renaissance® Masonry Units can be cut, chiseled, dressed or worked in the field. The rocked stones are individually hand finished, ensuring every stone is unique.

### Standard Masonry Unit Sizes



- 3 standard stone sizes
- Selection of standard colors from the Cambridge, Ontario and Fort Valley, Georgia locations
- Custom colors available (conditions apply)
- Available finishes: Sandblasted, Satin, Smooth, Rocked (selection varies with plant)



## Thin-Clad Renaissance® Units

Take advantage of the most comprehensive set of thin-clad materials on the market today:

ARRIS-tile: Renaissance® tile that can be adhered to a suitable solid substrate

ARRIS-clip: Kerfed, thin Renaissance® units that are simply 'clipped' to a substrate using a channel system.

Thin-clad Renaissance® Units are versatile, surprisingly affordable and easy to install. Choose from the two available thin-clad systems to suit the requirements of your specific project. Thin-Clad Renaissance® Units have proven durability and come with the Arriscraft Lifetime Product Warranty.

ARRIS-tile and ARRIS-clip thin-clad corner units maintain the look and beauty of traditional full bed stone installations with all of the benefits associated with thinner wall systems. In addition, various custom profiles such as sill, watertable and bullnose profiles are available to complete the overall stone veneer. Maximum design versatility can be achieved by coordinating with our full-bed and ARRIS-cast products.

- **3 standard stone sizes**
- **Selection of standard colors from the Georgia Plant**
- **Custom colors available (conditions apply)**
- **Available finishes: Smooth, Rocked (selection varies per color)**

## ARRIS-tile

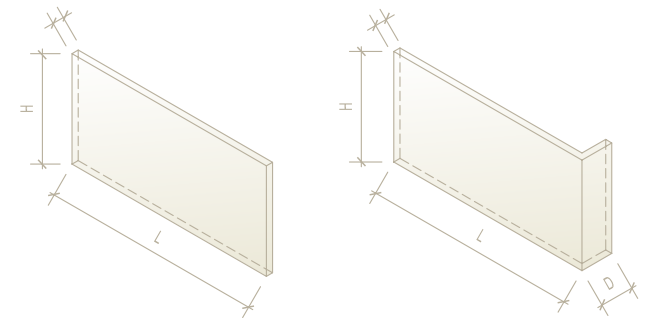
Available face rises: 3-5/8" , 7-5/8", and 11-5/8"

Thickness: 3/4"

Length: 23-5/8"

Depth (Corners): 3-5/8"

Length (Corners): ≤ 22-7/8"



## ARRIS-clip

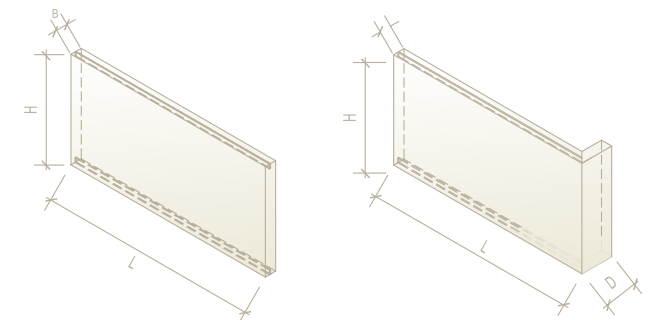
Available face rises: 3-5/8" , 7-5/8", and 11-5/8"

Thickness: 1-3/8"

Length: 23-5/8"

Depth (Corners): 3-5/8"

Length (Corners): ≤ 22-7/8"





## Stack

This unique thin masonry creates a modern twist to thin adhered stone installations with its elegant and timeless dry stack ledgerstone style.

- Three face rises (2-1/8", 3-5/8" and 5-7/8" ) are pre-blended on a skid or boxed
- Split face and Sawn texture
- Return corner units
- Selection of standard colors from the Cambridge and Fort Valley Plants





## Coastal Series

The linear Coastal Series is an evolution of our popular Stack product. The thin adhered Coastal Series is ideal for those that prefer a sleek look with a mortar joint.

- Three face rises (2-1/8", 3-5/8" and 6-1/8") are pre-blended on a skid
- Split face and Sawn texture
- Return corner units
- Selection of standard colors from the Fort Valley Plants



## Midtown

The unique Midtown series is reminiscent of a linear brick. It is available in three sizes that can be laid separately or combined. This versatile thin adhered stone can be laid with or without mortar joints.

- Three face rises (2-1/8", 3-5/8" and 5-7/8")
- Split face and Sawn texture
- Return corner units
- Selection of standard colors from the Cambridge and Fort Valley Plants



## Adair® Limestone



Adair® Limestone is a high quality, low absorption dolomitic limestone with extremely high strength and durability. Available in Traditional Masonry Units, Anchored Dimension Stone, Tiles and Landscaping elements, the fabrication options invite distinctive, innovative and affordable designs. Adair® Limestone has a quarry run color range of Blue-Grey or Sepia, and two available patterns, veined and fleuri.

## Thin Adair® Products

### Adair® Clip

Adair® Clip is unlike any other stone cladding on the market. These large panels of limestone clip into a channel system for an outstanding aesthetic.

The generous face heights (11-3/4", 15-3/4", 23-3/4") are available in lengths of 47-3/4" and 71-3/4", making this finished installation absolutely unique. Customers can choose from Blue-Grey or Sepia tones, in Fleuri or Veined patterns.



## Adair® Tile

Thin Adair® Tile combines the simplicity of thin adhered installation with the beauty of our Adair® Masonry Units. Three available sizes (3-5/8", 7-5/8", and 11-5/8") offer countless installation options.

- Medium and Fine Dressed
- Blue-Grey Fleuri, Blue-Grey Veined, Sepia Fleuri, and Sepia Veined



## Thin Adair® Limestone

Adair® Thin Limestone features the beauty and durability of quarried stone, cut into easy to install thin units. This dynamic product features 3 face rises, a blend of Adair® colors and patterns, and a split faced finish. Adair® Thin Limestone is suitable for use in adhered tile installations for both interior and exterior applications.



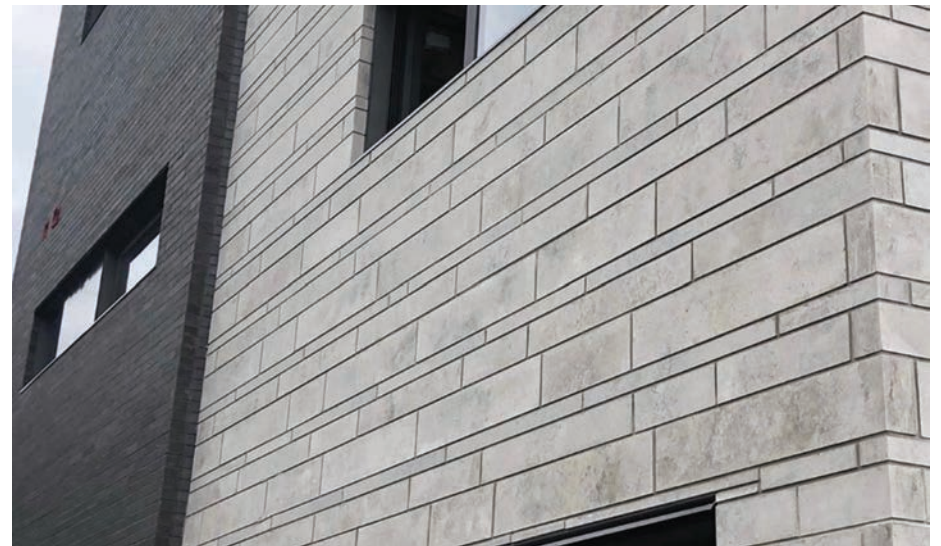
## Full Bed Adair® Limestone



## Studio

Sleek, smooth and sophisticated, Studio is a natural Adair® limestone featuring our new glacial finish. This clean finish reveals the beautiful fleuri pattern in this sepia tone limestone. Studio is designed for a modern, coursed installation, but can also be laid in a classic ashlar pattern.

- Three face rises (2-5/16", 5", and 7-5/8")
- Glacial finish
- Sepia Fleuri Quarry range



## Georgian Blend

Georgian Blend is a three unit split face product, offered in a random lengths up to 23-5/8". The blend of colors in the ashlar pattern highlight the beauty of this natural stone.

- Three face rises (2-5/16", 5" and 7-5/8")
- Split face texture
- Blend of Blue-Grey and Sepia (60:40 Ratio)



## Parliament

Parliament makes a strong statement with its rugged split face finish and natural sepia tone. Designers can choose a coursed installation, using one size per course, or a more traditional ashlar pattern.

- Three face rises (3-5/8", 7-5/8", and 11-5/8")
- Split face texture
- Sepia Fleuri



## Building Stone and Brick



Arriscraft's Building Stone and Calcium Silicate products benefit from the same Natural Process technology as our renowned Renaissance® Masonry Units.

All Arriscraft stone products are manufactured to mirror natural stone formation, resulting in exceptionally tight dimensional tolerances, high strength, high density, and outstanding durability.





## Evolution Masonry Units

The 32" long Evolution Masonry Unit is available in two sizes and in four standard colors. This dramatic option gives architects a fresh opportunity for incredible design impact.



## Metropolitan

Featuring lengths up to 31-5/8" in three distinct face heights, Metropolitan is designed for efficient, coursed installation. This unique stone offers a bold and dramatic aesthetic.





## Shadow Stone®

A stunning ledgerstone, Shadow Stone® Building Stone delivers contemporary style for any new design, including multi-family, hospitality, retail, and commercial. The split face finish and natural color options enhance the aesthetics of authentic stone.



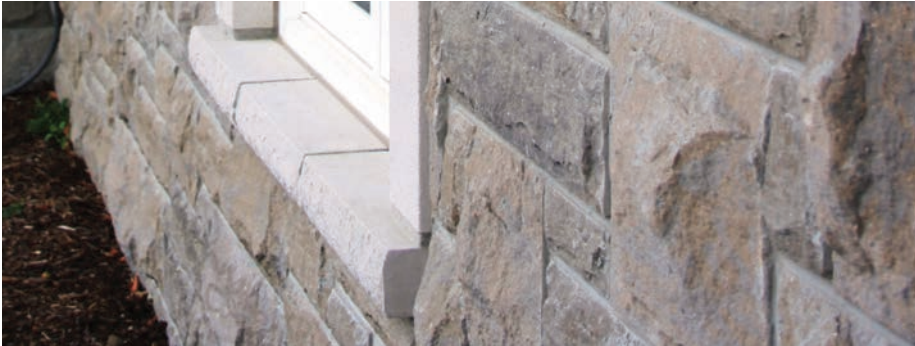
## Citadel®

Classic and timeless, Citadel® Building Stone lends a traditional charm to commercial and institutional designs. An authentic tumbled finish suggests comfort and permanence. Citadel® is manufactured in both the Cambridge, Ontario and Fort Valley, Georgia plants.



## Laurier

Another classic style, Laurier Building Stone combines clean lines and a rocked finish for an elegant result. Combining colors can offer a traditional look, while more subtle selections offer a grand, institutional appeal.



## Fresco

Fresco combines split face angles and a tumbled finish – a new twist on classic style. This unique finish is a perfect fit for modern building looking to add authentic charm.



## Edge Rock

Aptly named, Edge Rock features sharp lines and dynamic edges for a unique profile. This rugged, split face stone provides a modern feel to commercial projects, but with a rugged twist.



## Urban Ledgestone

This ledgestone-style Building Stone is designed to be simple and unique. Our first product designed to be laid in a coursed or ashlar pattern, Urban Ledgestone is incredibly easy and efficient to install.



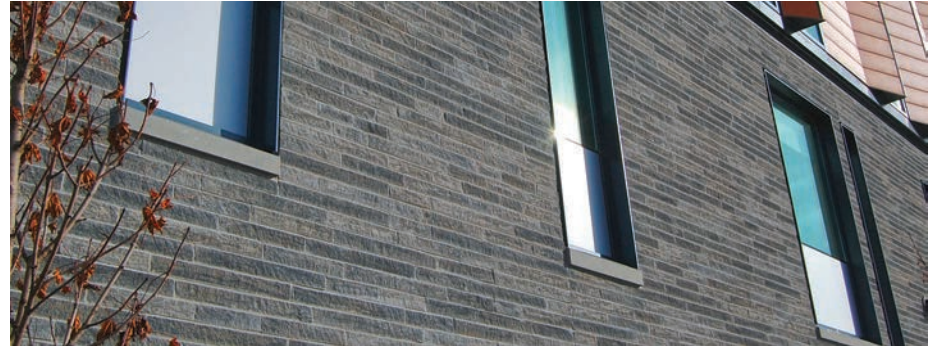
## Architectural Linear Series Brick

This long, elegant brick, with rugged appeal features a weathered finish that is ideal for modern designs. Adding to the unique look of this brick, the lengths are random, with the longest bricks extending to 23-5/8"



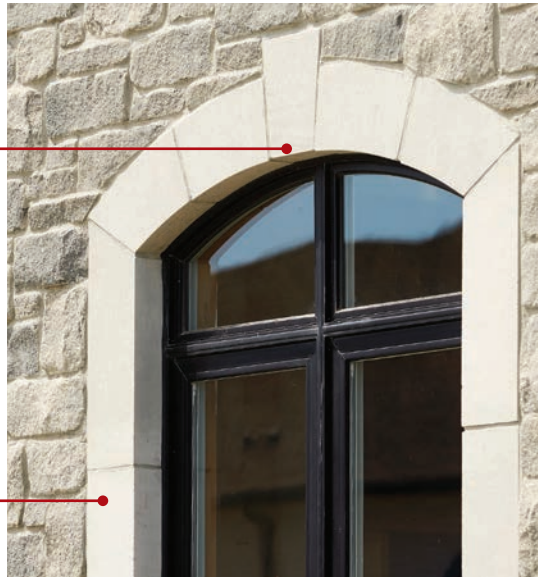
## Contemporary Brick

Contemporary Brick offers modern refinement in an array of colors. This unique brick style is unlike traditional brick, owing to its random lengths (up to 30-3/8") and elongated appearance.



## Custom Shapes and Accessories

Keystones



Quoins



Sills



### Custom Shapes

Renaissance® Masonry Units are perfectly suited to customization. Select from our catalogue of common custom shapes, or let us help you create a design specifically to suit your project.



Accent your design with carefully selected arches, sills and custom profiles by Arriscraft.

Our high production standards are backed by an industry-unique product warranty.

We can also customize your accessories to color match your Arriscraft stone selection.

## Cumberland

Cumberland Building Stone combines robust sizes and a weathered finish to deliver old-world appeal. The authentic, field stone profile makes Cumberland an ideal selection for classic designs.



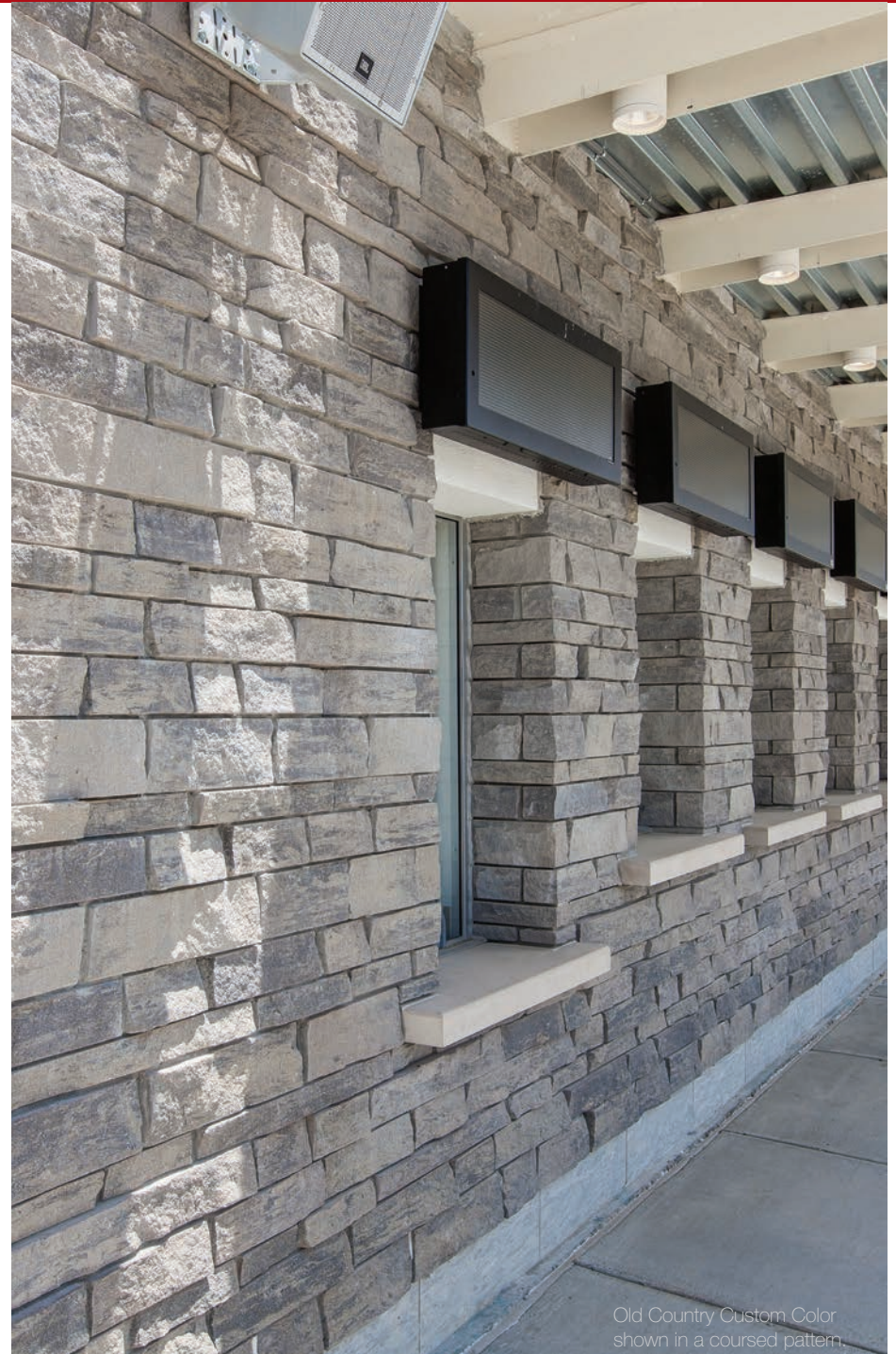
## Old Country

A rustic split face stone with a linear format, Old Country delivers an understated and modern sophistication. A perfect choice for projects that need a contemporary yet comfortable feel.



## Matterhorn

Matterhorn combines straight lines with tumbled edges for a clean, yet natural, overall finish. This two unit Building Stone is easy-to-install and features large-scale stones for an impressive result.



Old Country Custom Color  
shown in a coursed pattern.

## ARRIS-cast Cast Stone

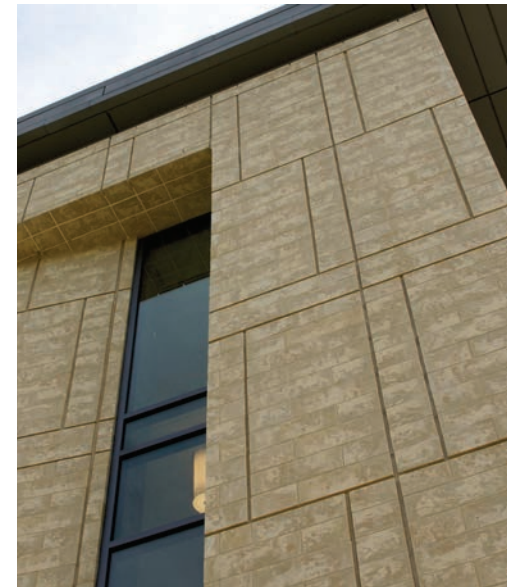
Arriscraft is the industry leader in product quality. Our tradition of excellence continues with ARRIS-cast Cast Stone, available to complement our exclusive Renaissance® colors. Select key stones, quoins, arches, sills, wall caps, window and door heads, and surrounds to complement Renaissance® colors as finishing touches for your projects. We're committed to helping you complete your project with the detail, quality and service you have come to expect from Arriscraft. ARRIS-cast uses the vibratory dry-tamp production method, providing a final finish that resembles a fine cut limestone.





## Creativity

We provide the medium, you provide the imagination. Our products have been designed to use on their own, or mixed and matched with each other. We're always eager to see all of the unique and creative applications that you dream up!



In the 1950s, Arriscraft's green legacy began with a simple manufacturing process that delivered remarkably authentic looking and durable stone. Throughout many refinements over the years, the fundamental product qualities of incredible aesthetics and performance remain unchanged.

Naturally occurring materials are mixed and then pressed into modular-sized units under high pressure. The units are then subjected to a highly monitored steam system to produce a masonry unit with uniformly fine-grained texture. This Natural Process® technology is a fast-paced replication of how the Earth creates natural stone. During the manufacturing process, the raw materials chemically react to form a calcium silicate hydrate binder resulting in durable, strong and integrally bonded units. No synthetic binding agents are added – the chemical reactions occur naturally.

Unlike any other manufactured stone, our CSMUs are entirely natural, except for the color pigments that are added as the raw materials combine. This mixing creates masonry units with through-body color, so stones can be cut, shaped, hand-chiseled or dressed on site while maintaining the fine-grained texture and color.



## Arriscraft Products Contribute to LEED® and Sustainability

According to the U.S. Green Building Council, the Leadership in Energy and Environmental Design rating system, or LEED “promotes a whole-building approach to sustainability by recognizing performance in five key areas of human and environmental health: sustainable site development, water savings, energy efficiency, materials selection and indoor environmental quality.”

Thoughtful material selection can contribute to the development of high performance green buildings that minimize impact on building users and on the local and global environment. Through superb durability and energy efficiency, exceptional life span, and timeless architectural appeal, Arriscraft products can contribute to LEED points and to sustainability.



## Education

Proud to be an AIA/CES continuing education provider, Arriscraft (a General Shale Company) offers four AIA presentations:

Stone Designs  
1 hour LU & HSW

Thin Clad Stone Designs  
1 hour LU & HSW

Proper Masonry Detailing & Techniques  
2 hours LU & HSW

Considerations for Installation of Calcium Silicate Masonry Units  
1 hour LU & HSW

Just Hanging Out on the Wall – Masonry Rainscreens  
1 hour LU & HSW

The Changing Landscape of Thin Adhered Masonry Veneers  
1 hour LU & HSW

Pushing The Envelope – Continuous Insulation Solutions for Thin Adhered Masonry Veneers  
LU Hours 1.00 / HSW

## Support

Arriscraft products are backed by technical support unparalleled in the industry. Your goals are our goals - to design beautiful buildings that last.

Our technical resources are here to help you ensure the integrity of your project is supported with sound design and best construction practices. Arriscraft is committed to the highest level of standards and services. Through the Arriscraft Technical Services Department, you can access any of our complimentary services.

- Comprehensive technical library including Arriscraft.SPEC, our on-line specification guidelines and Arriscraft.CADD library with downloadable details.
- Qualified staff to review your drawings and specifications to conduct a thorough Masonry Envelope Review.
- Arriscraft.NOTE and Arriscraft.TECH, a collection of discussion papers and technical bulletins prepared by the Arriscraft Technical Services Department.
- Consult Arriscraft.CARE documents for guidelines for proper storage, handling, and cleaning of Arriscraft products.
- Consult Arriscraft.DATA for industry standard product data sheets, available for all Arriscraft products.
- Masons' Instructions; installation guidelines to achieve random stone ashlar patterns for each Building Stone product line.
- On staff mason.
- Shop drawings for ARRIS-clip projects.
- Hatch Patterns and Seamless Textures.



## NATURAL EDGE®

Our Natural Process technology replicates how stone is formed in the earth and creates products with the aesthetics and durability of quarried stone, plus the benefits of standard installation and unlimited supply.



## SELECTION

Our comprehensive product range includes: the classic Renaissance® stone, a robust Building Stone collection, our versatile thin-clad collection, various brick styles (including our long, contemporary option), Adair® limestone, and our unique ARRIS-cast cast stone.



## SOLUTIONS

We lead the industry in premier product support, including an extensive technical library, complimentary Masonry Envelope Review services, personal technical support, and renowned custom color and blend development. Our on-site technical services can provide historical matching, unique colors and custom blends, as required.



## INNOVATION

Product innovation at Arriscraft continues to meet market demands for modern stone designs and lightweight, thin stone solutions, as well as matching processes to replicate historical stone as quarries close after decades of use. We also continuously improve our manufacturing process to lead the industry in green and sustainability initiatives.



## EDUCATION

We educate daily through our technical support, AIA credit courses, and an ever-broadening information base. Our website offers high-res color sheets, data sheets, seamless texture images, a Building Stone Calculator, plus our growing blog of articles and tips. For decades we've provided complimentary mason training and student tours, and sponsored the University of Waterloo Architecture Lecture Series.



**Cambridge, Ontario Plant**  
875 Speedsville Road  
Cambridge, Ontario, Canada  
N3H 4S8

**Fort Valley, Georgia Plant**  
6054 Zenith Mill Road, Arriscraft Lane  
Fort Valley, Georgia, USA  
31030

Toll Free: 800-265-8123  
E-mail: [solutions@arriscraft.com](mailto:solutions@arriscraft.com)

Phone: 478-827-1896  
Fax: 478-827-1897

[www.arriscraft.com](http://www.arriscraft.com)



Arriscraft is the stone products group of General Shale, the North American subsidiary of Wienerberger AG and a leading manufacturer of brick, one of the world's oldest green building materials.

B-SD 0620

