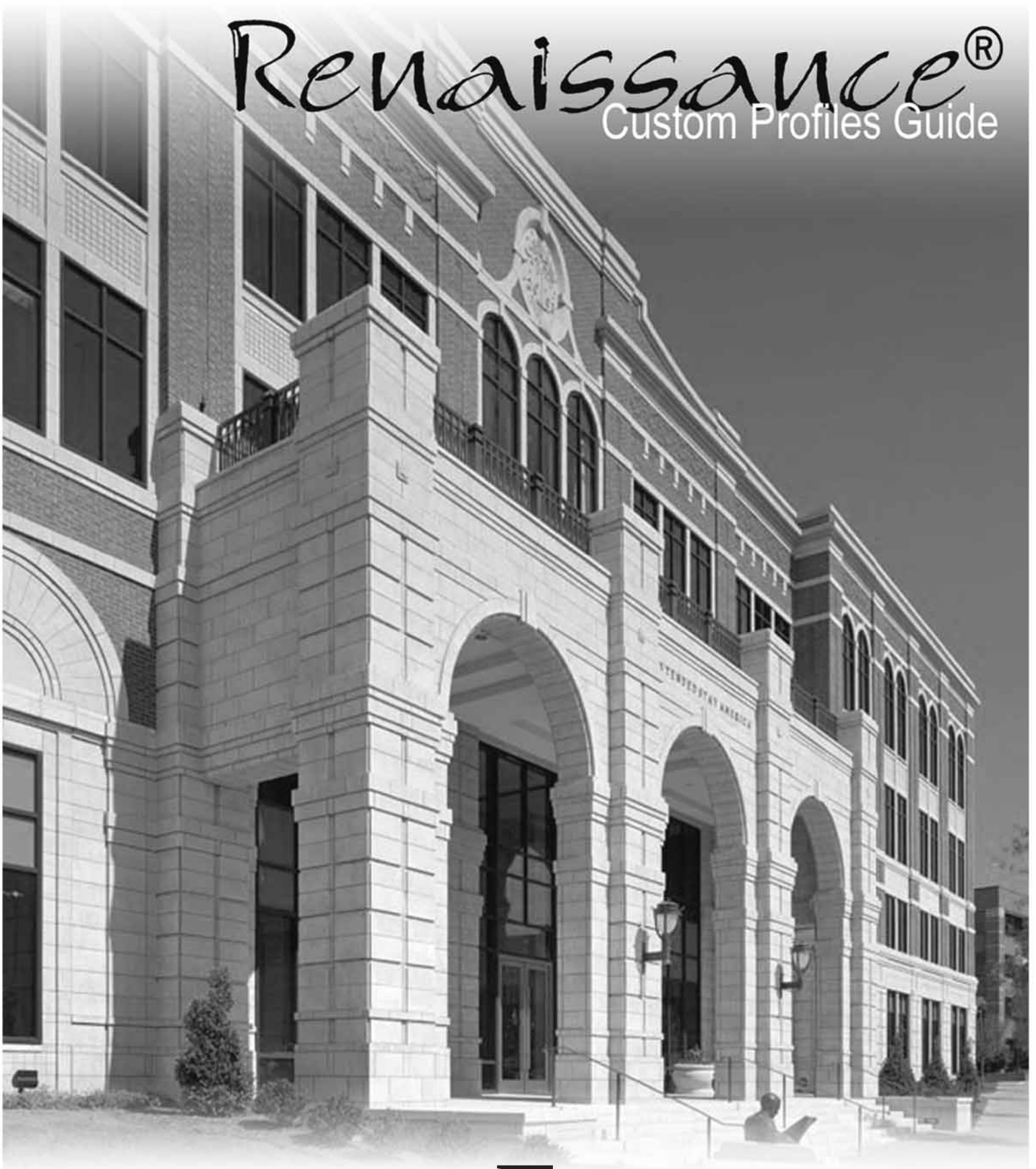


Renaissance®

Custom Profiles Guide



ARRISCRAFT™
INTERNATIONAL
BUILDING STONE • BRICK • LIMESTONE

Shapes and Sizes: Renaissance® Masonry Units are available in a variety of metric standard sizes. To inquire about imperial sizes contact your local representative.

Metric	Height	Length	Bed
RS09	90mm	590mm	90mm
RS19	190mm	590mm	90mm
RS29	290mm	590mm	90mm

Renaissance® Masonry Units in custom shapes and sizes are available up to a maximum length of 590mm and face rise of 290mm. Bed depths are limited to a maximum of 90mm with rock faced finishes and 115mm with smooth faced finishes.

General Notes: For applicable tolerances and further information refer to ARRISCRAFT•DATA 04230, for Renaissance® Masonry Units.

Certain applications may require an engineered anchoring system for support. Refer to ARRISCRAFT•NOTE's, Connectors, Part I & II.

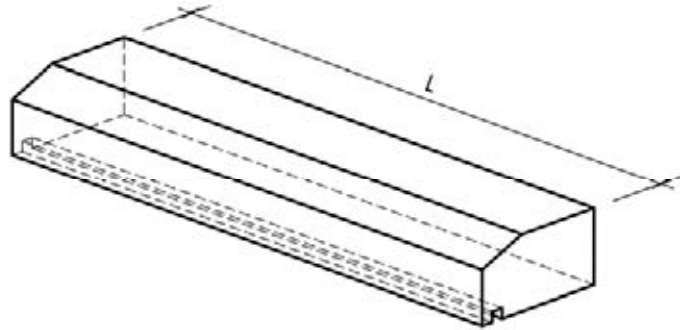
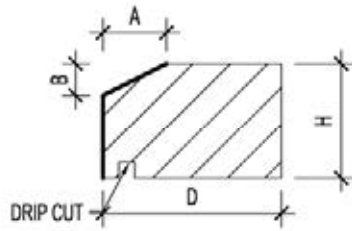
Renaissance® Masonry Units must be installed using industry recommended materials and techniques and conform to all related building requirements.

Proper care, installation and cleaning are required for warranty validation.

TABLE OF CONTENTS

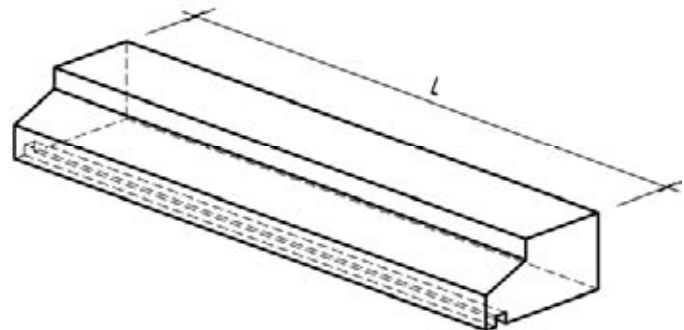
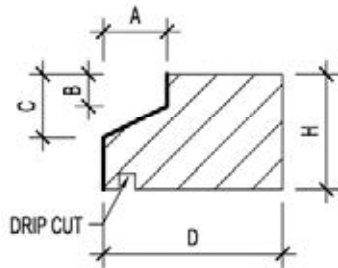
Sloped Sill/ Watertable Unit Sloped/ Notched Sill/ Watertable	2
Bullnose Stone Band Bullnose Stone Sill (with Drip Cut)	3
200mm Bullnose Fascia Stone Band Assembly 200mm Bullnose Fascia Stone Sill Assembly (with Drip Cut) 200mm Bullnose Assembly.....	4
“O-Gee” Stone Sill “Sharknose” Stone Band.....	5
RS29 with False Joint RS19 with False Joints	6
Notched Unit (One Long Edge) Chamfered Unit (One Long Edge)	7
Notched Unit (One Short Edge) Chamfered Unit (One Short Edge).....	8
Notched and Chamfered Unit Lipped Unit.....	9
Sample Combinations with Chamfered or Notched Units	10
Fabricated Corner Stones Quirk Mitered Corner	11
Column Cladding Curved Walls.....	12
Sample Custom Stone Medallions.....	13
Sample Custom Stone Window Surrounds.....	14
End Finishing	15
End Finishing – Typical Applications	16

SLOPED SILL/WATERTABLE STONE



HEIGHT (H)	DEPTH (D)	STD. LENGTH (L)	SLOPE DIMENSIONS	
			A	B
57mm	275mm MAX.	590mm	SPECIFY	SPECIFY
90mm	140mm	590mm	50mm	25mm
90mm	190mm	590mm	100mm	25mm
90mm	275mm MAX.	590mm	SPECIFY	SPECIFY
115mm	275mm MAX.	590mm	SPECIFY	SPECIFY
133mm	175mm MAX.	590mm	SPECIFY	SPECIFY
140mm	275mm MAX.	590mm	SPECIFY	SPECIFY

SLOPED/NOTCHED SILL/WATERTABLE

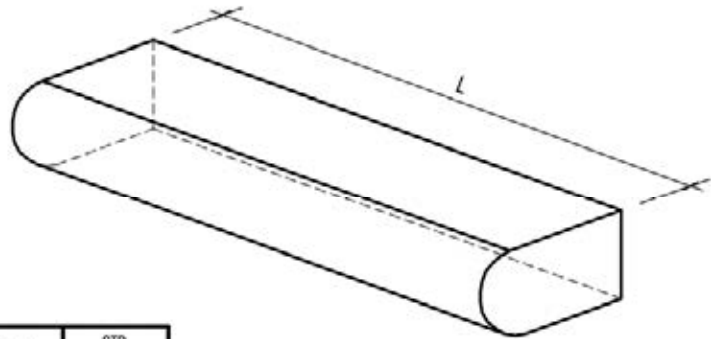
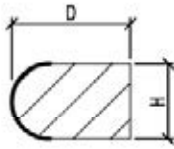


HEIGHT (H)	DEPTH (D)	STD. LENGTH (L)	SLOPE DIMENSIONS		
			A	B	C
90mm	275mm	590mm	SPECIFY	SPECIFY	SPECIFY
115mm	275mm	590mm	SPECIFY	SPECIFY	SPECIFY
133mm	175mm	590mm	SPECIFY	SPECIFY	SPECIFY
140mm	275mm	590mm	SPECIFY	SPECIFY	SPECIFY

NOTES

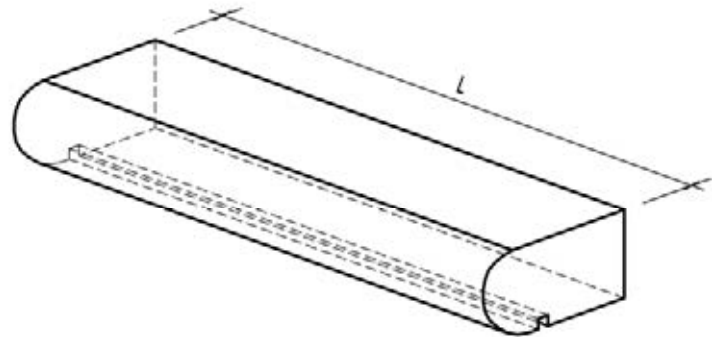
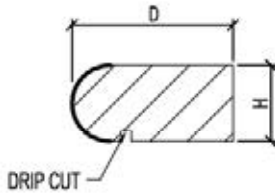
- All units are fabricated from standard Renaissance® Masonry Units (slopes are smooth sawn).
- Corner units are available and are 10mm under length due to finished return.
- Units are shown as smooth texture but are available with rocked texture on the face.
- Custom heights up to 140mm are available. Please consult with Arriscraft Technical Services.
- Heavy lines indicate finished faces.

BULLNOSE STONE BAND



HEIGHT (H)	DEPTH (D)	STD. LENGTH (L)
57mm	287mm MAX.	590mm
90mm	140mm	590mm
90mm	190mm	590mm
90mm	287mm MAX.	590mm
115mm	287mm MAX.	590mm
133mm	187mm MAX.	590mm
140mm	287mm MAX.	590mm

**BULLNOSE STONE SILL
(WITH DRIP CUT)**

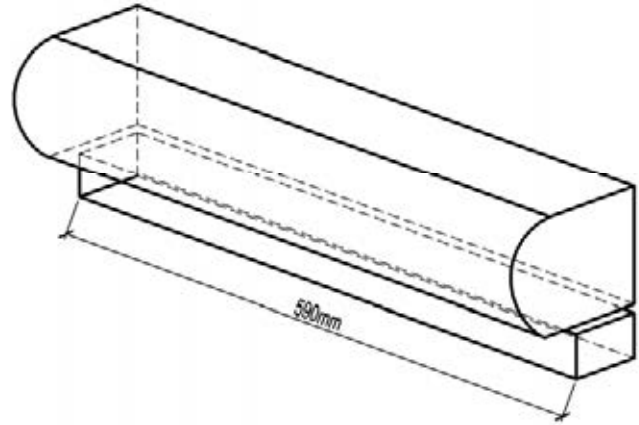
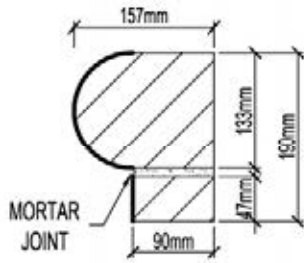


HEIGHT (H)	DEPTH (D)	STD. LENGTH (L)
57mm	287mm MAX.	590mm
90mm	140mm	590mm
90mm	190mm	590mm
90mm	287mm MAX.	590mm
115mm	287mm MAX.	590mm
133mm	187mm MAX.	590mm
140mm	287mm MAX.	590mm

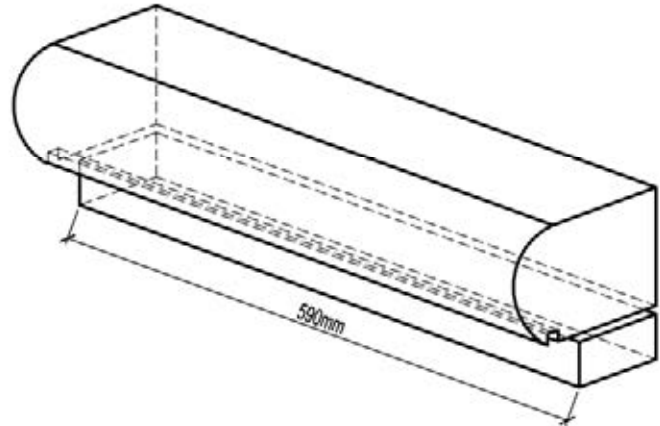
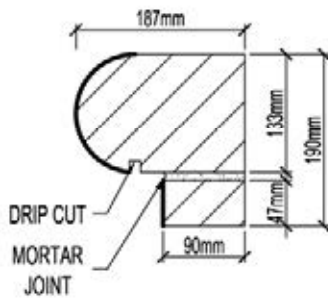
NOTES

- All units are fabricated from standard Renaissance® Masonry Units.
- Drip cuts are recommended when stone is used in a sill condition.
- Corner units are available and are 10mm under length due to finished return.
- Units are available in smooth texture only.
- Custom heights up to 140mm are available. Please consult with Arriscraft Technical Services.
- Heavy lines indicate finished faces.

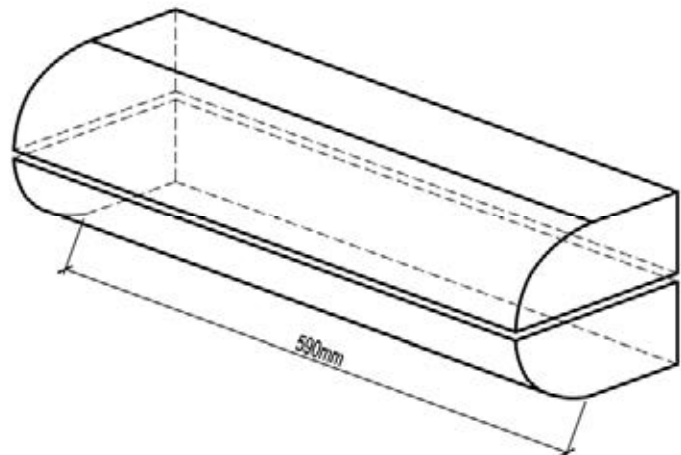
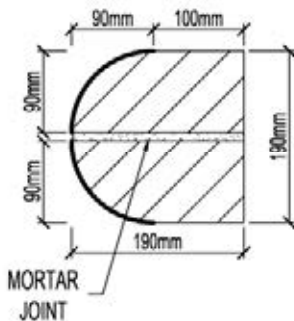
200mm BULLNOSE FASCIA STONE BAND ASSEMBLY



200mm BULLNOSE FASCIA STONE SILL ASSEMBLY (WITH DRIP CUT)

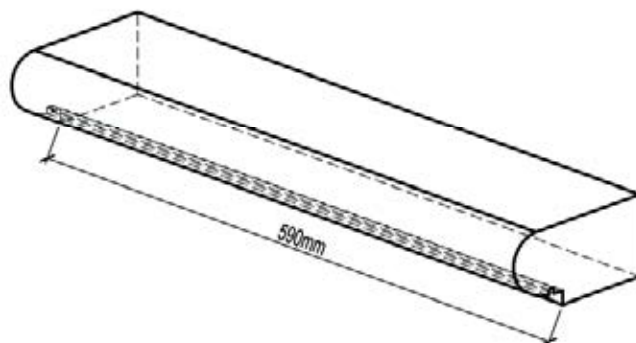
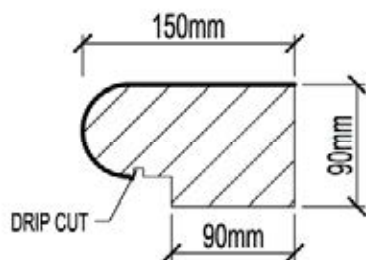
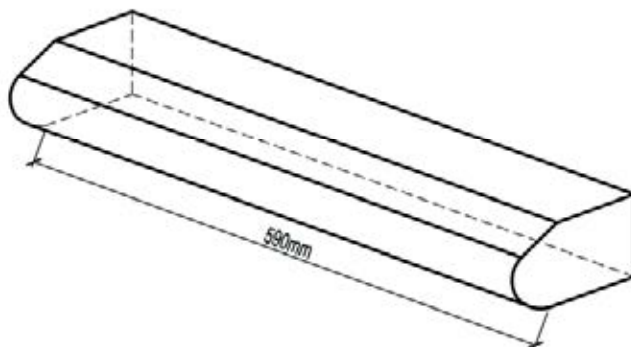
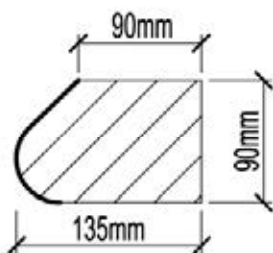


200mm BULLNOSE ASSEMBLY



NOTES

- All units are fabricated from standard Renaissance® Masonry Units.
- Drip cuts are recommended when stone is used in a sill condition.
- Corner units are available and are 10mm under length due to finished return.
- Units are available in smooth texture only.
- Heavy lines indicate finished faces.

"O-GEE" STONE SILL**"SHARKNOSE" STONE BAND****NOTES**

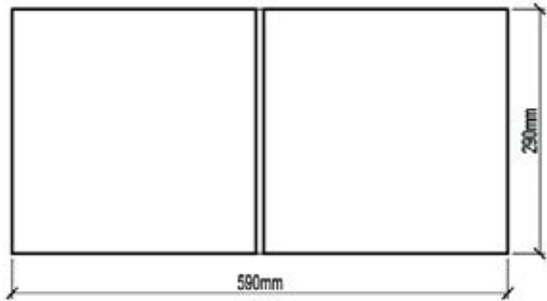
- All units are fabricated from standard Renaissance® Masonry Units.
- Drip cuts are recommended when stone is used in a sill condition.
- Corner units are available and are 10mm under length due to finished return.
- Units are available in smooth texture only.
- Custom depths are available. Please consult with Arriscraft Technical Services.
- Heavy lines indicate finished faces.

RS29 WITH FALSE JOINT

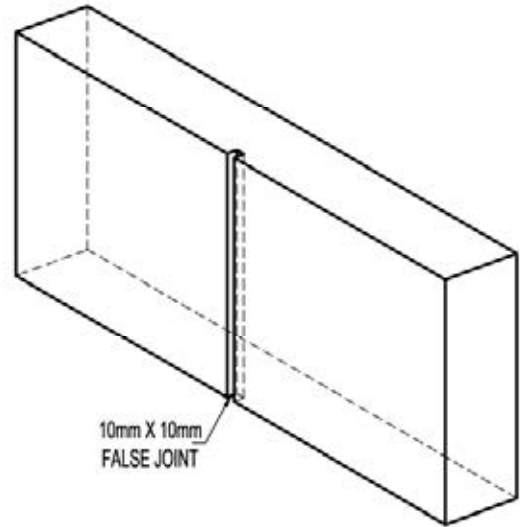
(INSTALLS AS ONE UNIT, APPEARS AS 2 - 300mm x 300mm UNITS)



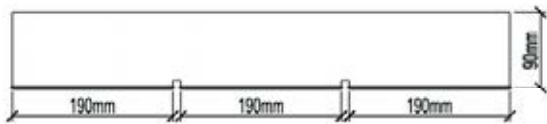
PLAN VIEW



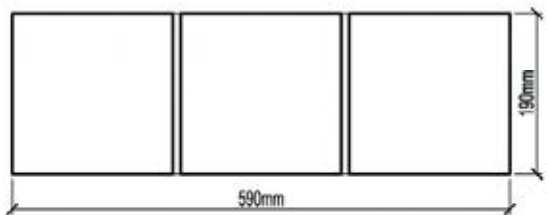
ELEVATION

**RS19 WITH FALSE JOINTS**

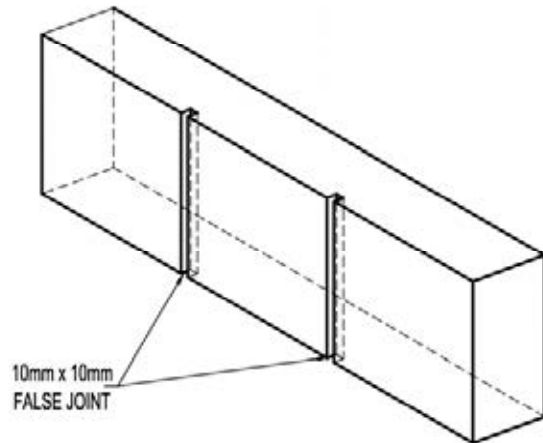
(INSTALLS AS ONE UNIT, APPEARS AS 3 - 200mm x 200mm UNITS)



PLAN VIEW



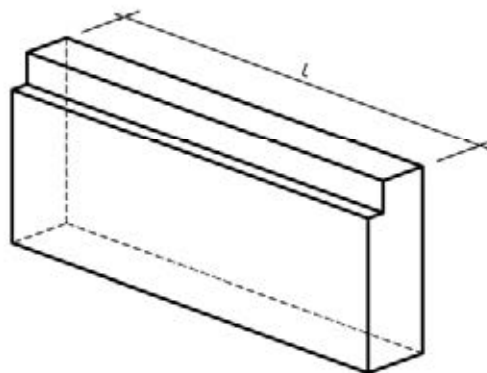
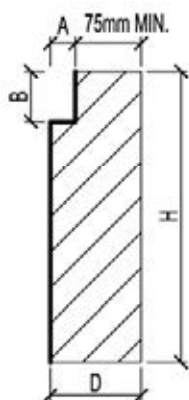
ELEVATION

**NOTES**

- All units are fabricated from standard Renaissance® Masonry Units (false joints are sawn).
- Units are unavailable in rocked face texture.
- Heavy lines indicate finished faces.

NOTCHED UNIT

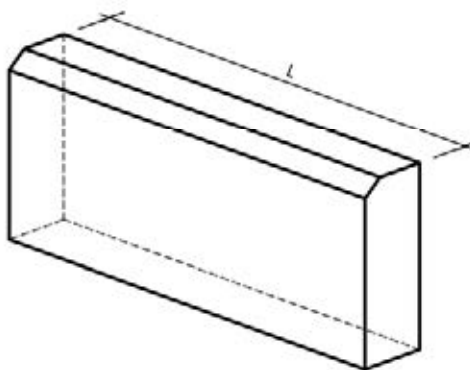
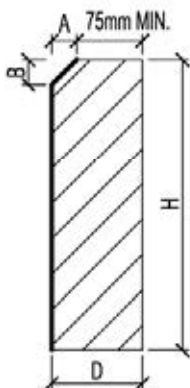
(ONE LONG EDGE)



HEIGHT (H)	DEPTH (D)	STD. LENGTH (L)	NOTCH DIMENSION	
			A	B
90mm	90mm	590mm	< 15mm	< 50mm
90mm	115mm	590mm	< 40mm	< 50mm
190mm	90mm	590mm	< 15mm	< 50mm
190mm	115mm	590mm	< 40mm	< 50mm
290mm	90mm	590mm	< 15mm	< 50mm
290mm	115mm	590mm	< 40mm	< 50mm

CHAMFERED UNIT

(ONE LONG EDGE)



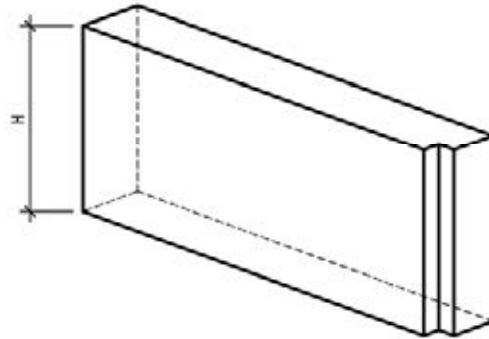
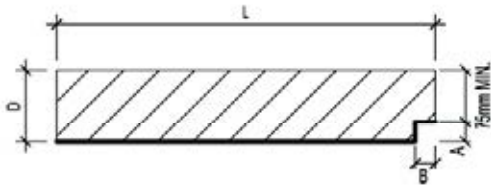
HEIGHT (H)	DEPTH (D)	STD. LENGTH (L)	CHAMFER DIMENSION	
			A	B
90mm	90mm	590mm	< 15mm	< 50mm
90mm	115mm	590mm	< 40mm	< 50mm
190mm	90mm	590mm	< 15mm	< 50mm
190mm	115mm	590mm	< 40mm	< 50mm
290mm	90mm	590mm	< 15mm	< 50mm
290mm	115mm	590mm	< 40mm	< 50mm

NOTES

- All chamfers/notches are fabricated and are a smooth sawn finish.
- Corner units are available and are 10mm under length due to finished return.
- All standard textures are available (115mm depths are unavailable in rocked or press hammered finishes).
- Custom heights are available. Please consult with Arriscraft Technical Services.
- Heavy lines indicate finished faces.

NOTCHED UNIT

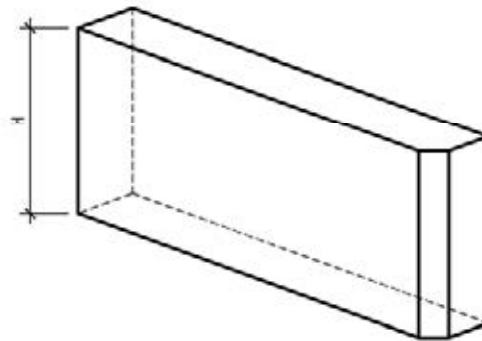
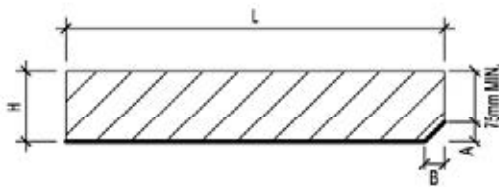
(ON ONE SHORT EDGE)



HEIGHT (H)	DEPTH (D)	STD. LENGTH (L)	NOTCH DIMENSION	
			A	B
90mm	90mm	590mm	< 15mm	< 25mm
90mm	115mm	590mm	< 40mm	< 50mm
190mm	90mm	590mm	< 15mm	< 25mm
190mm	115mm	590mm	< 40mm	< 50mm
290mm	90mm	590mm	< 15mm	< 25mm
290mm	115mm	590mm	< 40mm	< 50mm

CHAMFERED UNIT

(ONE SHORT EDGE)



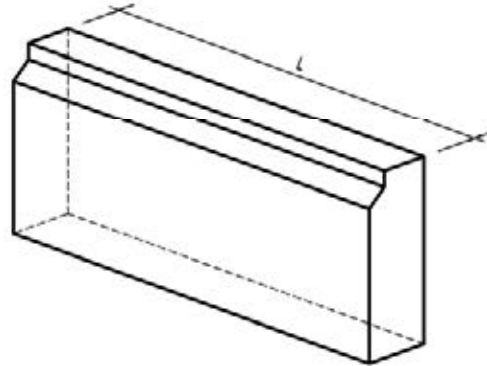
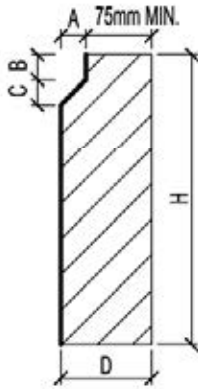
HEIGHT (H)	DEPTH (D)	STD. LENGTH (L)	CHAMFER DIMENSION	
			A	B
90mm	90mm	590mm	< 15mm	< 25mm
90mm	115mm	590mm	< 40mm	< 50mm
190mm	90mm	590mm	< 15mm	< 25mm
190mm	115mm	590mm	< 40mm	< 50mm
290mm	90mm	590mm	< 15mm	< 25mm
290mm	115mm	590mm	< 40mm	< 50mm

NOTES

- All chamfers/notches are fabricated and are a smooth sawn finish.
- Corner units are available and are 10mm under length due to finished return.
- All standard textures are available (115mm depths are unavailable in rocked or press hammered finishes).
- Custom heights are available. Please consult with Arriscraft Technical Services.
- Heavy lines indicate finished faces.

NOTCHED AND CHAMFERED UNIT

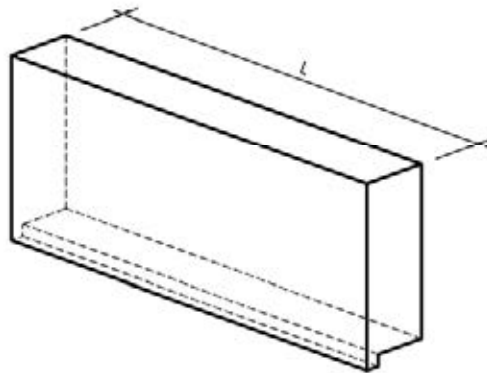
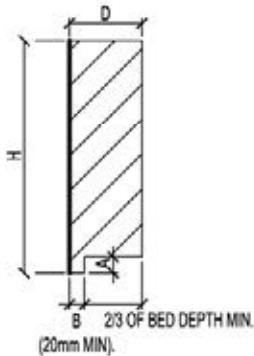
(ONE LONG EDGE)



HEIGHT (H)	DEPTH (D)	STD. LENGTH (L)	NOTCH DIMENSION		
			A	B	C
90mm	90mm	590mm	SPECIFY	SPECIFY	SPECIFY
90mm	115mm	590mm	SPECIFY	SPECIFY	SPECIFY
190mm	90mm	590mm	SPECIFY	SPECIFY	SPECIFY
190mm	115mm	590mm	SPECIFY	SPECIFY	SPECIFY
290mm	90mm	590mm	SPECIFY	SPECIFY	SPECIFY
290mm	115mm	590mm	SPECIFY	SPECIFY	SPECIFY

LIPPED UNIT

(TO HIDE STRUCTURAL STEEL SHELF ANGLES AND LINTELS)

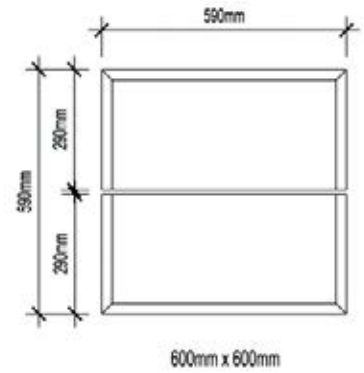
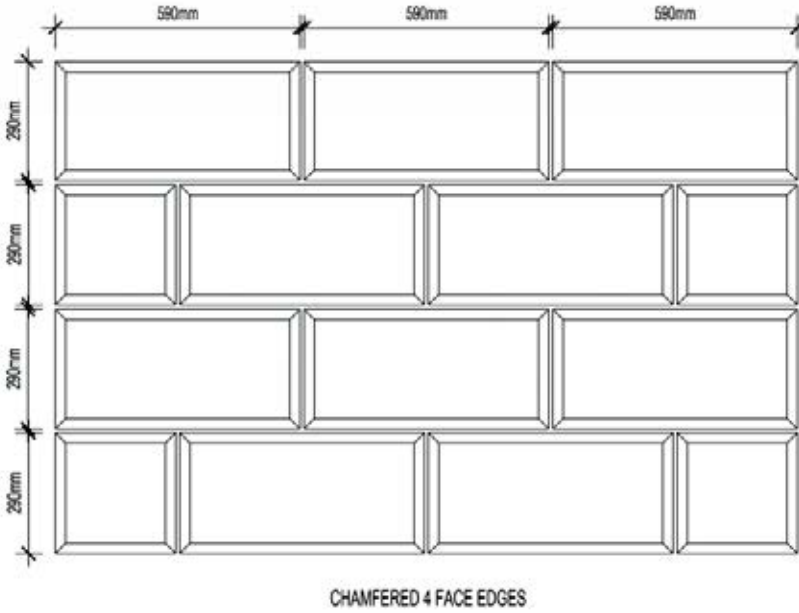
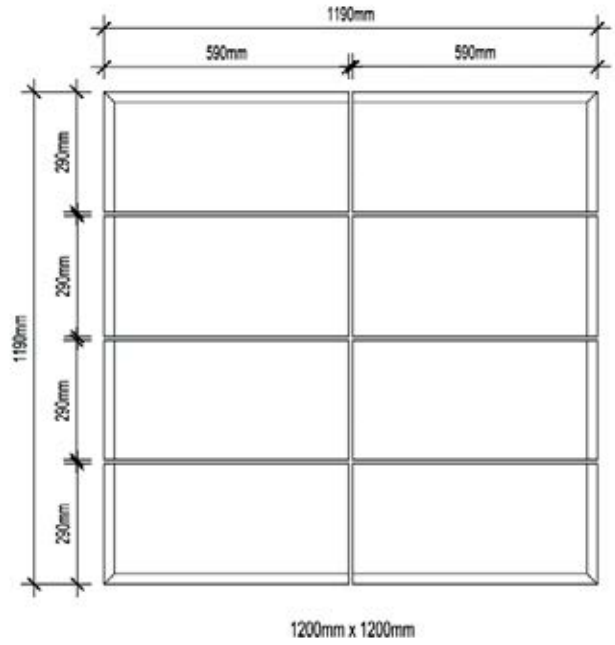
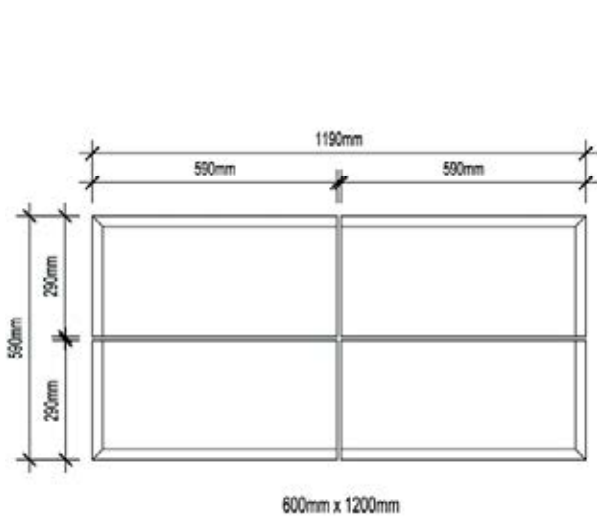


HEIGHT (H)	DEPTH (D)	STD. LENGTH (L)	LIP DIMENSION	
			A	B
90mm	90mm	590mm	SPECIFY	SPECIFY
90mm	115mm	590mm	SPECIFY	SPECIFY
190mm	90mm	590mm	SPECIFY	SPECIFY
190mm	115mm	590mm	SPECIFY	SPECIFY
290mm	90mm	590mm	SPECIFY	SPECIFY
290mm	115mm	590mm	SPECIFY	SPECIFY

NOTES

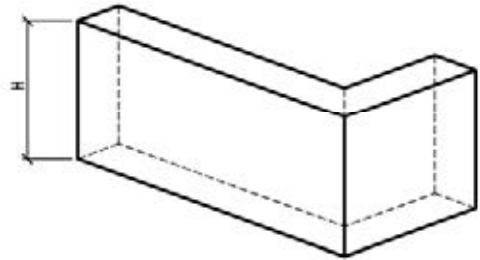
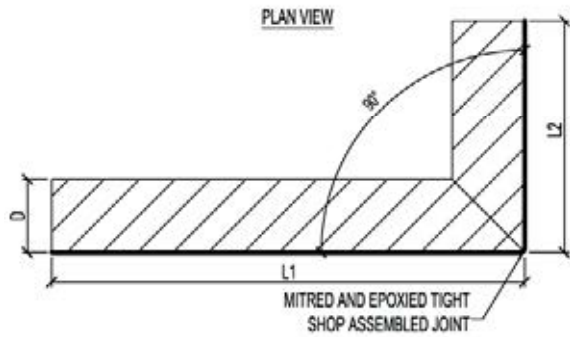
- All chamfers/notches are fabricated and are a smooth sawn finish.
- Corner units are available and are 10mm under length due to finished return.
- All standard textures are available (115mm depths are unavailable in rocked or press hammered finishes).
- Custom heights are available. Please consult with Arriscraft Technical Services.
- Heavy lines indicate finished faces.

SAMPLE COMBINATIONS WITH CHAMFERED OR NOTCHED UNITS



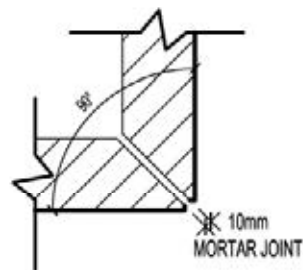
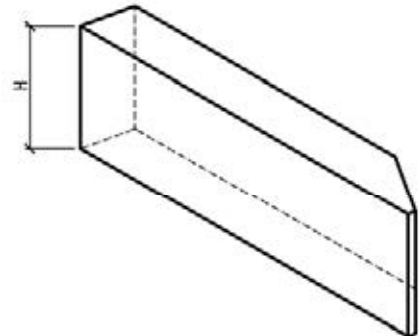
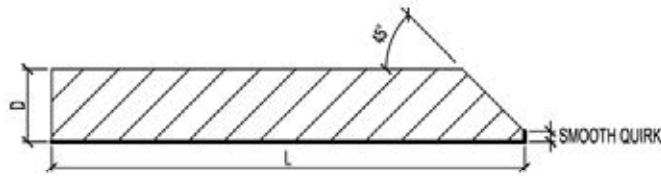
FABRICATED CORNER STONES

(GIVES APPEARANCE OF A "SOLID" STONE CORNER)



HEIGHT (H)	DEPTH (D)	L1	L2
90mm	90mm	590mm	290mm
90mm	90mm	SPECIFY	SPECIFY
190mm	90mm	590mm	290mm
190mm	90mm	SPECIFY	SPECIFY
290mm	90mm	590mm	290mm
290mm	90mm	SPECIFY	SPECIFY

QUIRK MITERED CORNERS



ASSEMBLED CORNER (ON INSTALLATION)

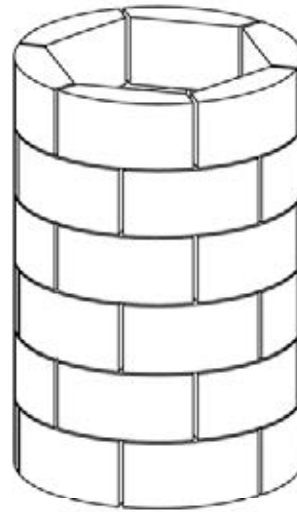
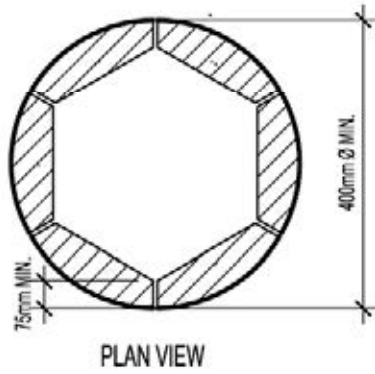
HEIGHT (H)	DEPTH (D)	LENGTH (L)	QUIRK	ANGLE
90mm	90mm	590mm	10mm	45°
90mm	90mm	SPECIFY	SPECIFY	SPECIFY
190mm	90mm	590mm	10mm	45°
190mm	90mm	SPECIFY	SPECIFY	SPECIFY
290mm	90mm	590mm	10mm	45°
290mm	90mm	SPECIFY	SPECIFY	SPECIFY

NOTES

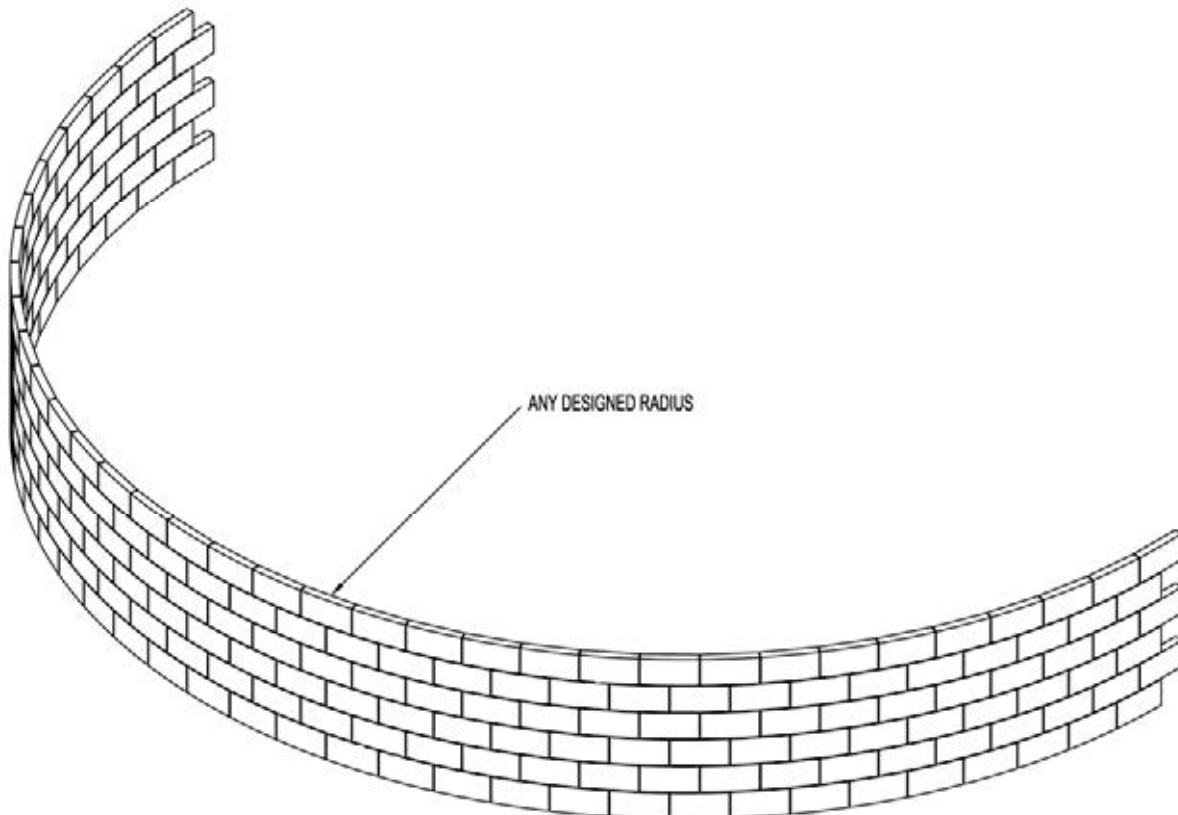
- All standard textures are available.
- Custom angles and heights are available. Please consult with Arriscraft Technical Services.
- 115mm depths are unavailable in rocked or press hammered finishes.
- Heavy lines indicate finished faces.

CURVED STONES

COLUMN CLADDING



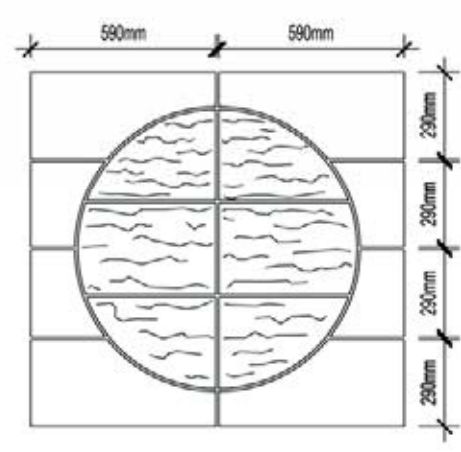
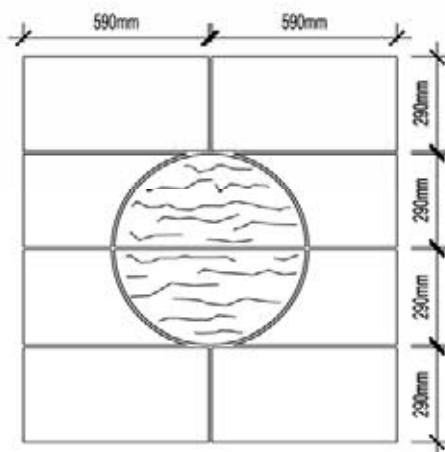
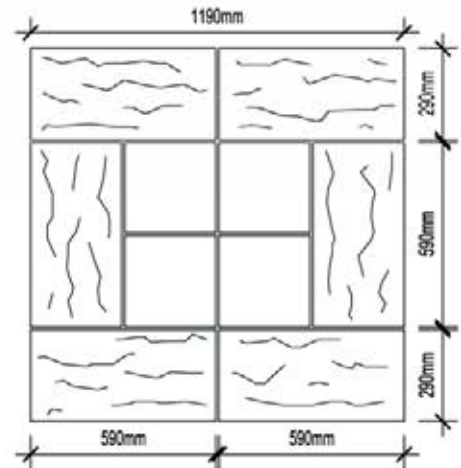
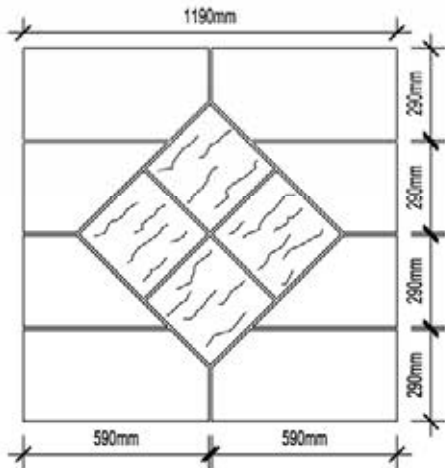
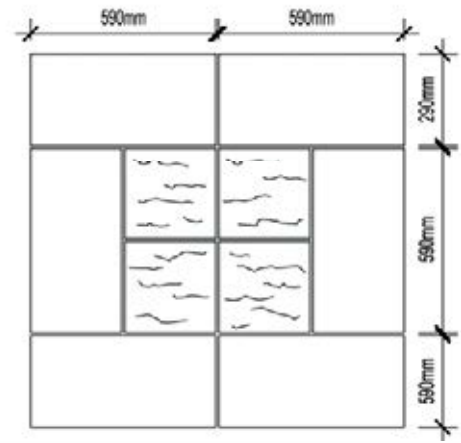
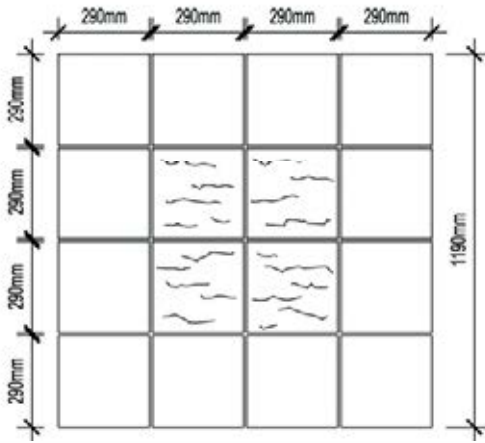
CURVED WALLS



NOTES

- All curved cladding is custom. Please consult with Arriscraft Technical Services for sizing.
- All units are fabricated from standard Renaissance® Masonry Units.
- Available in smooth and rocked textures only.
- Units are curved on the face side only (back face is flat).
- Heavy lines indicate finished faces.

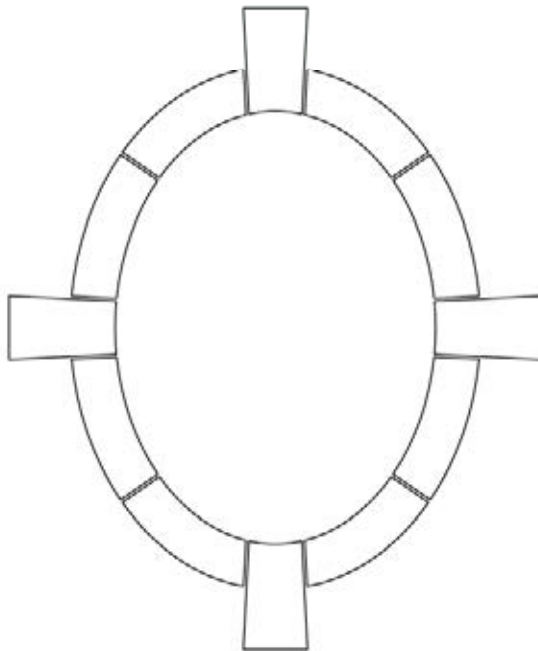
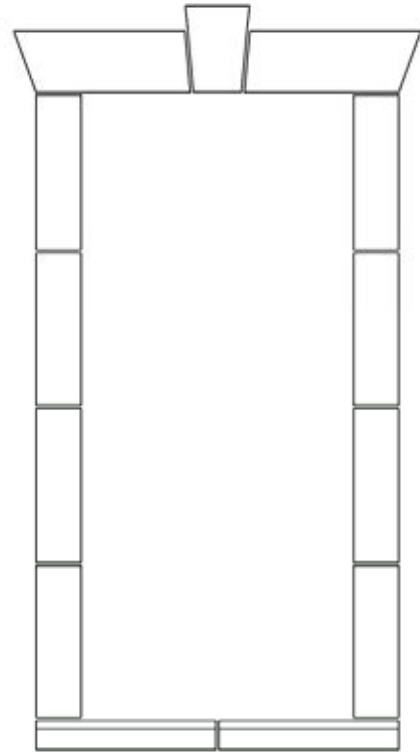
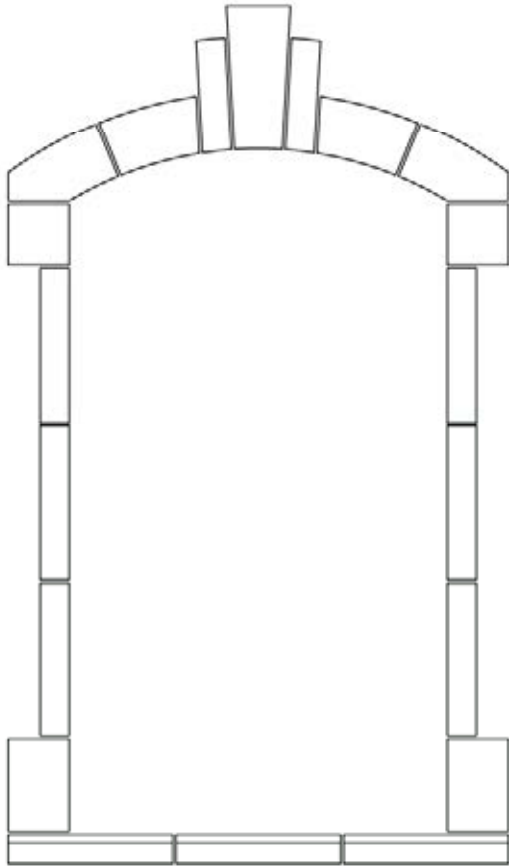
SAMPLE CUSTOM STONE MEDALLIONS



NOTES

- All medallions are custom. These are samples only.
- Please consult with Arriscraft Technical Services for assistance with your particular design.

SAMPLE CUSTOM STONE WINDOW SURROUNDS



NOTES

- All window surrounds are custom. These are samples only.
- Please consult with Arriscraft Technical Services for assistance with your particular design.

RENAISSANCE® STONE - END (HEAD) FINISHING

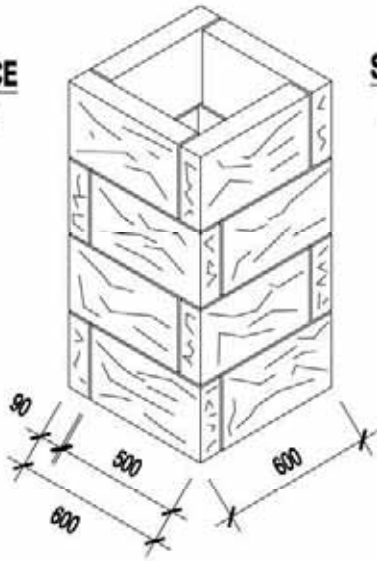
THE ENDS (OR HEADS) OF STONES THAT ARE VISIBLE, SUCH AS AT CORNER CONDITIONS, CAN BE ORDERED WITH A FACTORY PREPARED FINISH. THIS FINISH PROCESS REDUCES THE LENGTH OF FULL LENGTH (590mm LONG) STONE AS SHOWN BELOW.

	ONE FINISHED END	TWO FINISHED ENDS
DRESSED	<p>FINISHED END</p> <p>10mm UNDERSIZE</p>	<p>FINISHED END</p> <p>FINISHED END</p> <p>19mm UNDERSIZE</p>
SANDBLASTED	<p>FINISHED END</p> <p>10mm UNDERSIZE</p> <p><small>* APPLIES WHEN PIECES ARE ORDERED WITH FINISHED ENDS. APPROX 15% OF REGULAR PIECES ARE ALWAYS SUPPLIED WITH SMOOTH ENDS.</small></p>	<p>FINISHED END</p> <p>FINISHED END</p> <p>19mm UNDERSIZE</p>
ROCKED	<p>ROCKED END</p> <p>19mm UNDERSIZE</p>	<p>ROCKED END</p> <p>ROCKED END</p> <p>38mm UNDERSIZE</p>
RUSTIC SAWN	<p>FINISHED END</p> <p>10mm UNDERSIZE</p> <p><small>* APPLIES WHEN PIECES ARE ORDERED WITH FINISHED ENDS. APPROX 15% OF REGULAR PIECES ARE ALWAYS SUPPLIED WITH RUSTIC SAWN ENDS.</small></p>	<p>FINISHED END</p> <p>FINISHED END</p> <p>19mm UNDERSIZE</p>

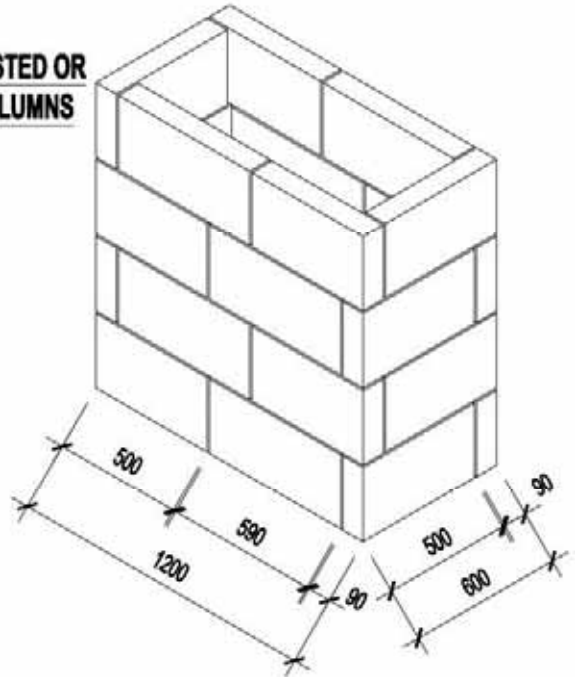
- CUSTOM DIMENSIONS ARE AVAILABLE. PLEASE CONSULT WITH TECHNICAL SERVICES.
- 117 mm DEPTHS ARE UNAVAILABLE IN ROCKED FINISHES.

END (HEAD) FINISHING - TYPICAL APPLICATIONS

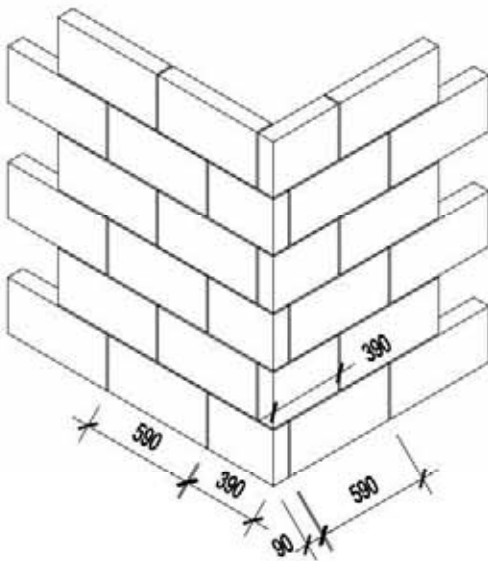
**ROCKED FACE
COLUMNS**



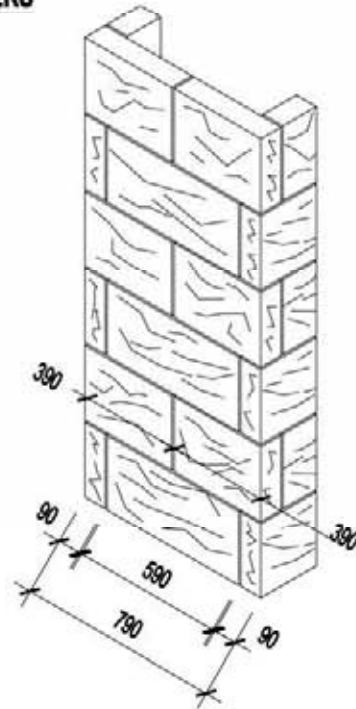
**SMOOTH, SANDBLASTED OR
DRESSED FACE COLUMNS**



**CORNER
CONDITIONS**



PILASTERS



NOTES:



ARRISCRAFT™

I N T E R N A T I O N A L

BUILDING STONE • BRICK • LIMESTONE

www.arriscraft.com

techservices@arriscraft.com

1.800.265.8123

