

General Shale Landscape Stones are available in a wide variety of shapes and sizes, and can be used in a great variety of landscaping and garden projects. Yard and planting borders, landscape piers, and garden walls are just a few projects that can add beauty to your outdoor space. The stones are light weight; enabling the average “do-it-yourselfer” to assemble projects. Projects are easily assembled using landscape adhesive or thin-set.

Appearance and Sizes

Landscape stones are tumbled to give a “weathered” and more natural appearance*. The following sizes** are available:

- 4”X8”X8”
- 4”X8”X12”
- 4”X8”X16”
- 4”X4”X16”
- 4”X8”X8” Single Round Nose
- 4”X8”X8” Corner Round Nose
- 4”X8”X14” Single Round Nose
- 4”X8”X14” Double Round Nose
- 4”X8”X16” Single Round Nose
- 4”X8”X16” Double Round Nose

*All sizes are available in General Shale’s Normandy color to easily match our available Hardscape Outdoor Kits.

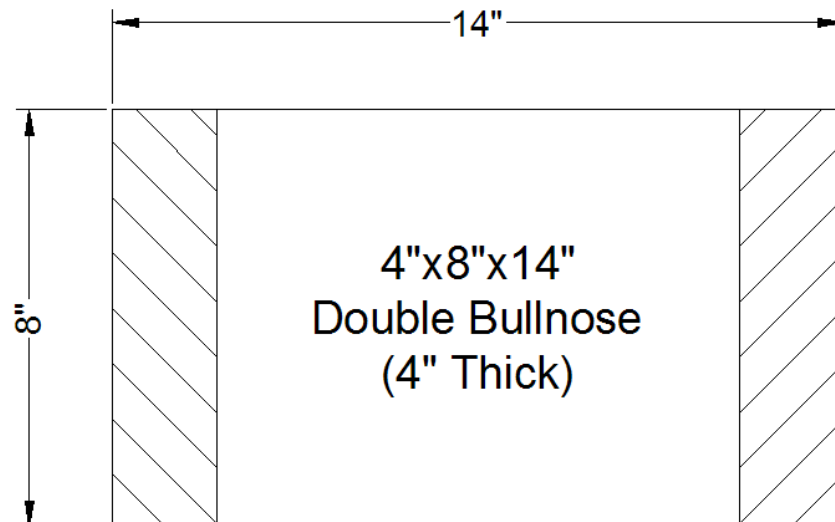
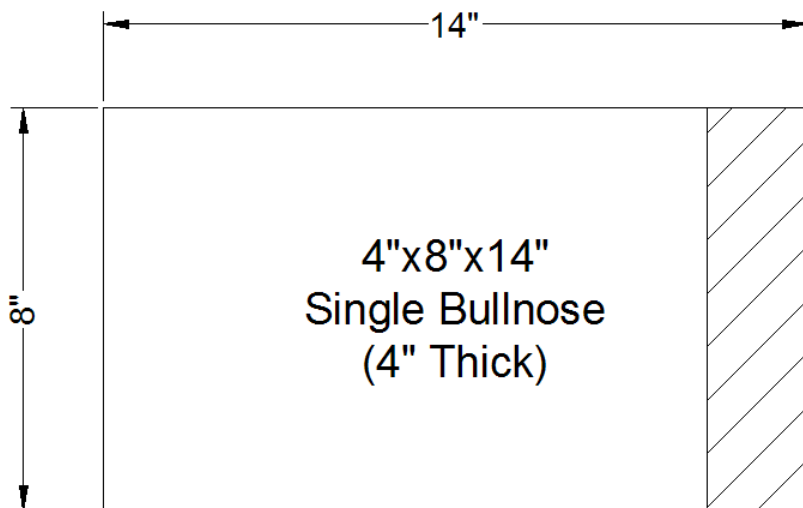
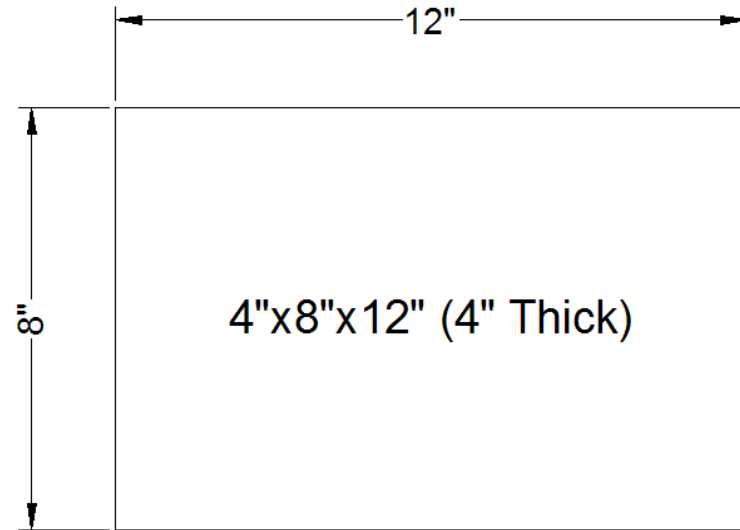
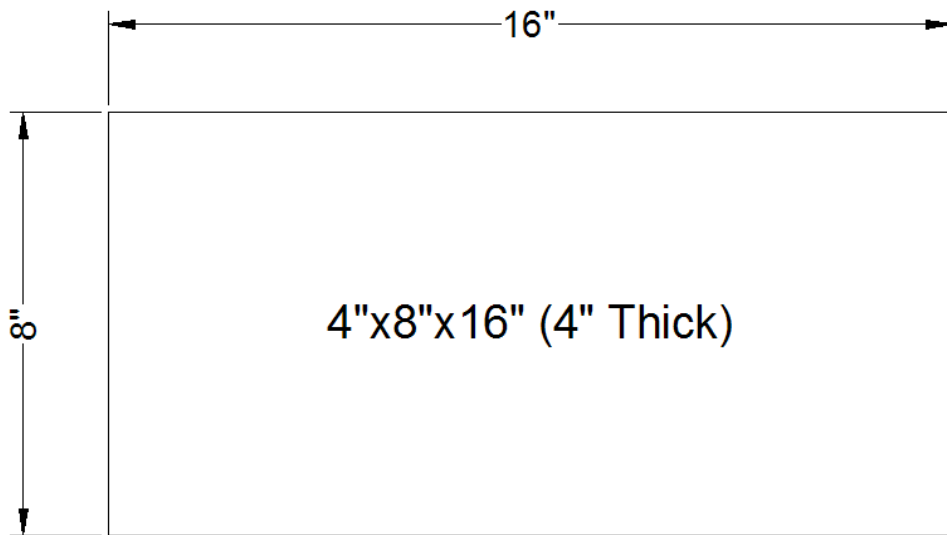
**All dimensions are modular (3-5/8”, 7-5/8”, 15-5/8”, etc.)



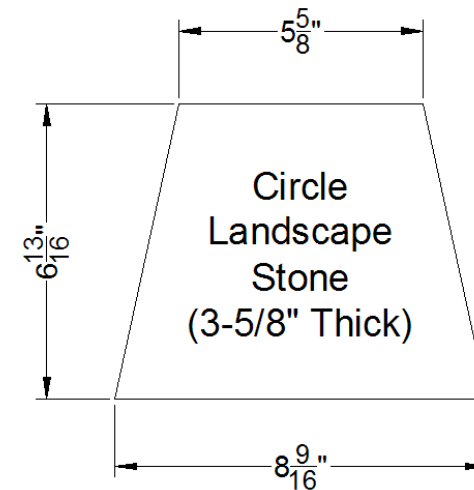
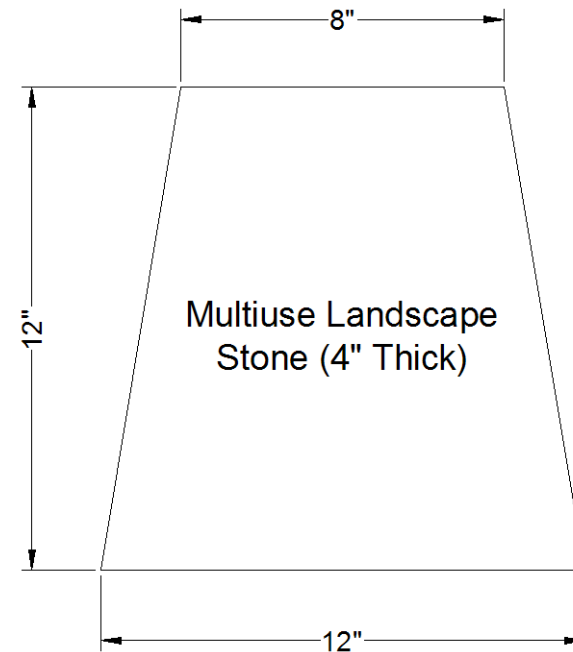
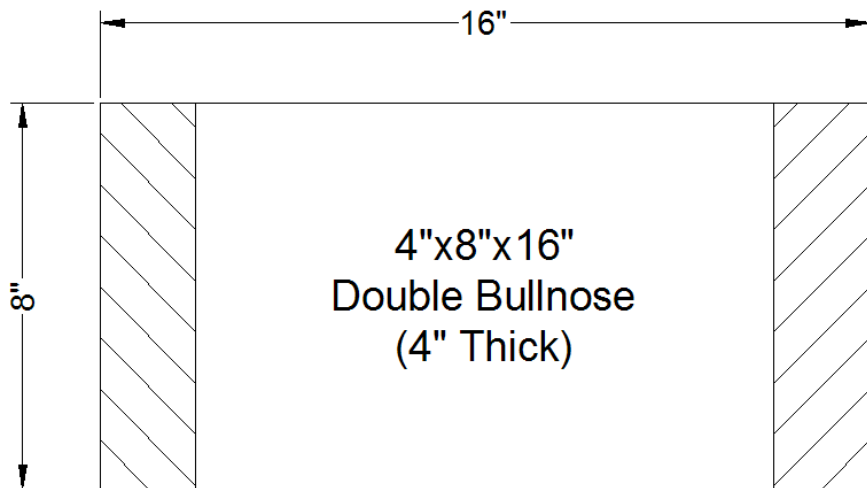
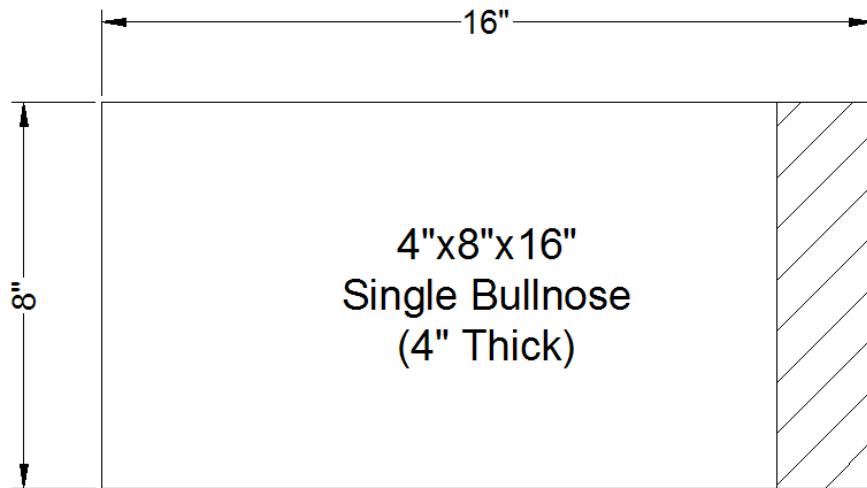
Garden walls and landscape piers built on raised patio.
Landscape stones can also be used in outdoor kitchens as
seen above.



Available Landscaping Block



Available Landscaping Block



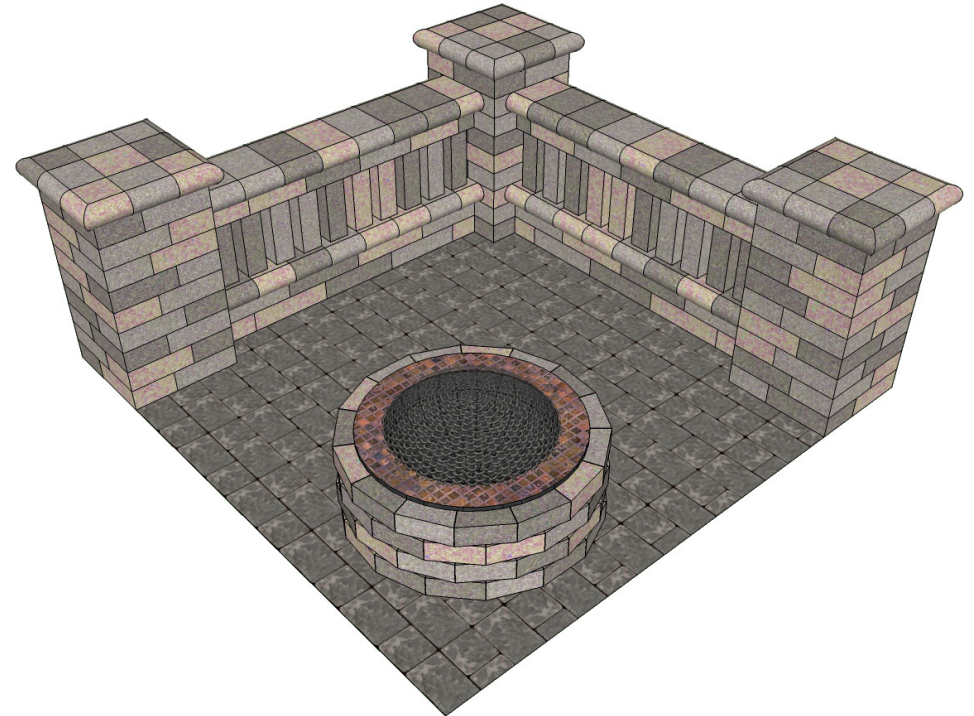
Garden / Patio Walls



Garden Walls

Short walls and columns can be built to surround garden spaces, or make beautiful landscape focal points.

(Shown with General Shale Brick Chips as landscaping cover.)

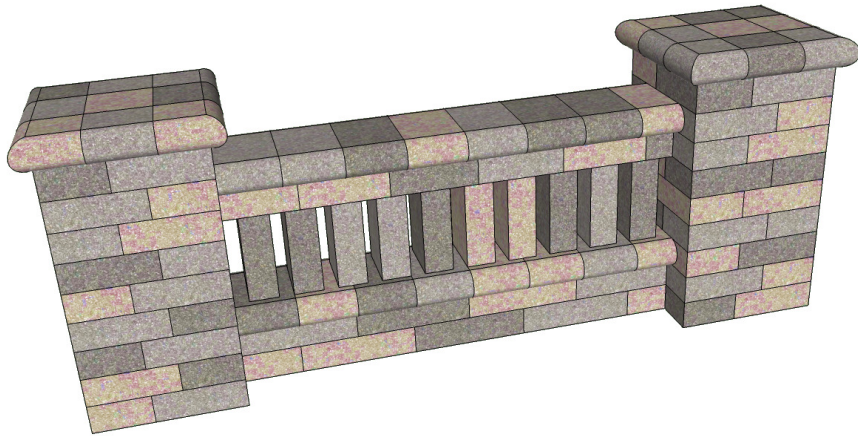


Patio Walls

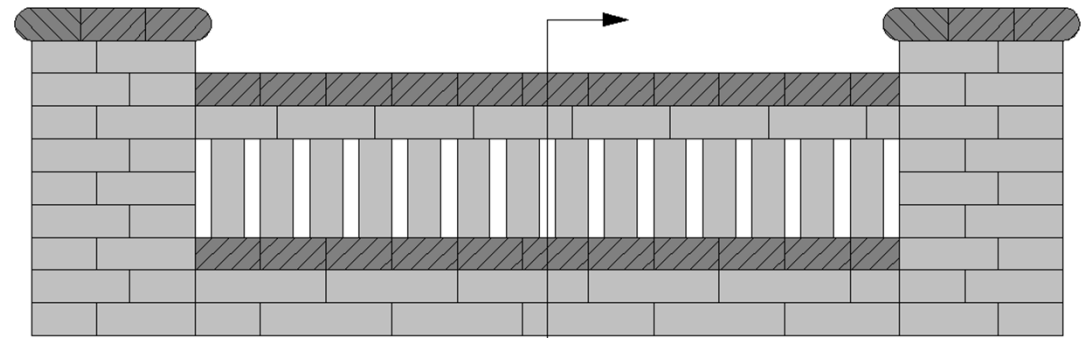
Short walls and columns work well to help section off patio areas and add safety to elevated patios.

(Shown with General Shale Pathway Pavers and FPR-100 Hardscape Outdoor Kit.)

Walls and Landscape Piers



Landscape Piers and Garden Walls are easily used together to break up long wall runs or to turn corners.



Pier/Wall Elevation View

See Section A

4"X8"X14" Double Bullnose

4"X8"X12"

4"X8"X12"
(Turned up on end)

4"X8"X14" Double Bullnose

4"X8"X16"

4"X8"X16"

*Bullnose pieces shown in dark gray.

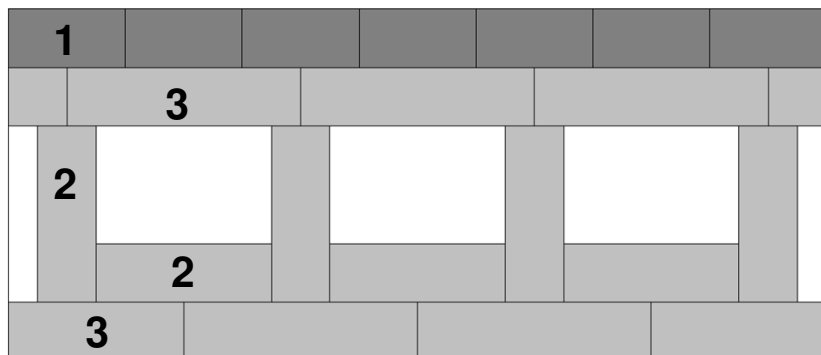
Section A

Wall Patterns

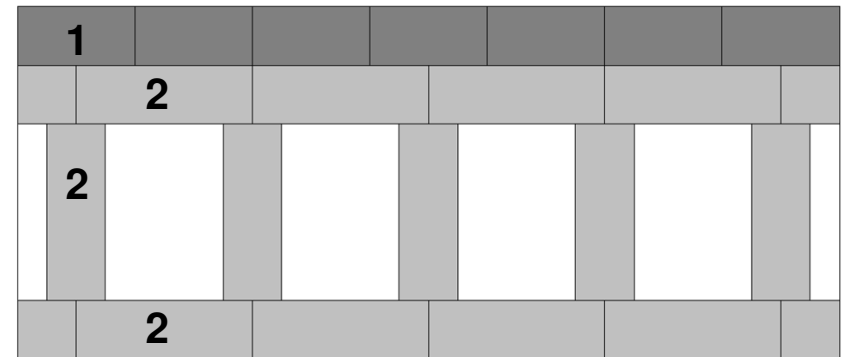
Many different wall patterns can be created from landscape stones. Here are just a few ideas; use the chart below to determine what size stones are used in the following sample patterns:

- 1 – 4”X8”X14” Double Bullnose
- 2 – 4”X8”X12”
- 3 – 4”X8”X16”

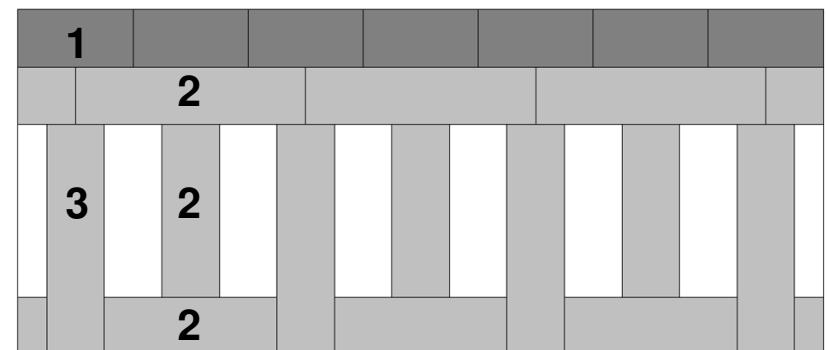
*Bullnose pieces shown in dark gray.



Sample 1



Sample 2



Sample 3

More samples on next page.

Wall Patterns Cont'd.

As you can see, many variations can be created by taking a pattern and repeating it through the length of the wall.

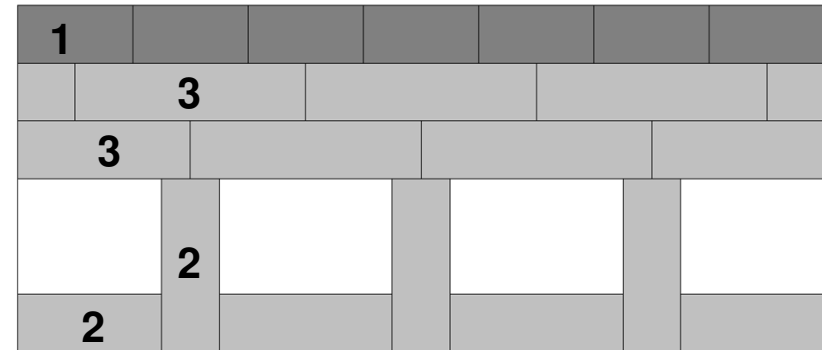
Use the chart below to determine what size stones are used in the following sample patterns:

1 – 4”X8”X14” Double Bullnose

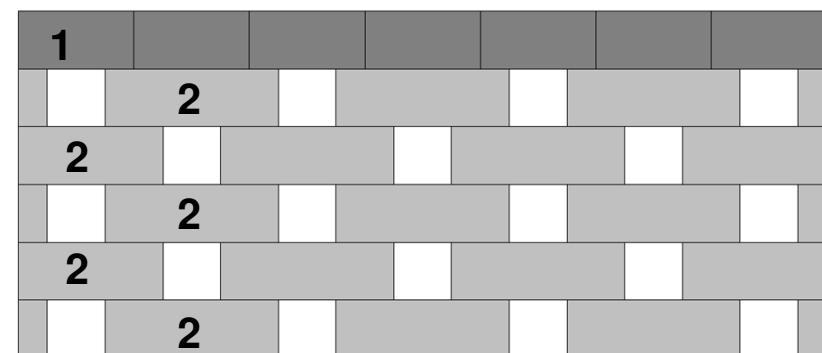
2 – 4”X8”X12”

3 – 4”X8”X16”

*Bullnose pieces shown in dark gray.



Sample 4



Sample 5