

Introduction

With General Shale half-high architectural masonry units you build just one wall instead of two, which can significantly reduce construction cost. Half-high units perform as both load-bearing units to carry the weight of the structure and provide a traditional, genuine masonry exterior. General Shale half-high units are available in a variety of colors including, buff, red, brown and grays.

Half-high units can be used unreinforced and designed empirically when applicable, or engineered walls can also be reinforced with vertical reinforcing steel in grouted cells when required. As with any concrete masonry unit (CMU) construction, the use of horizontal joint reinforcement is recommended in all applications to control cracking.

To control water infiltration, follow the guidelines recommended in the National Concrete Masonry Association (NCMA) Tek-Notes, which includes the use of any integral water repellent on the units and mortar, and the application of a post construction applied water repellent.

Additional information and general construction/installation guidelines can be found in the NCMA Tek-Notes 5-15 and 19-2A which are included in this bulletin.

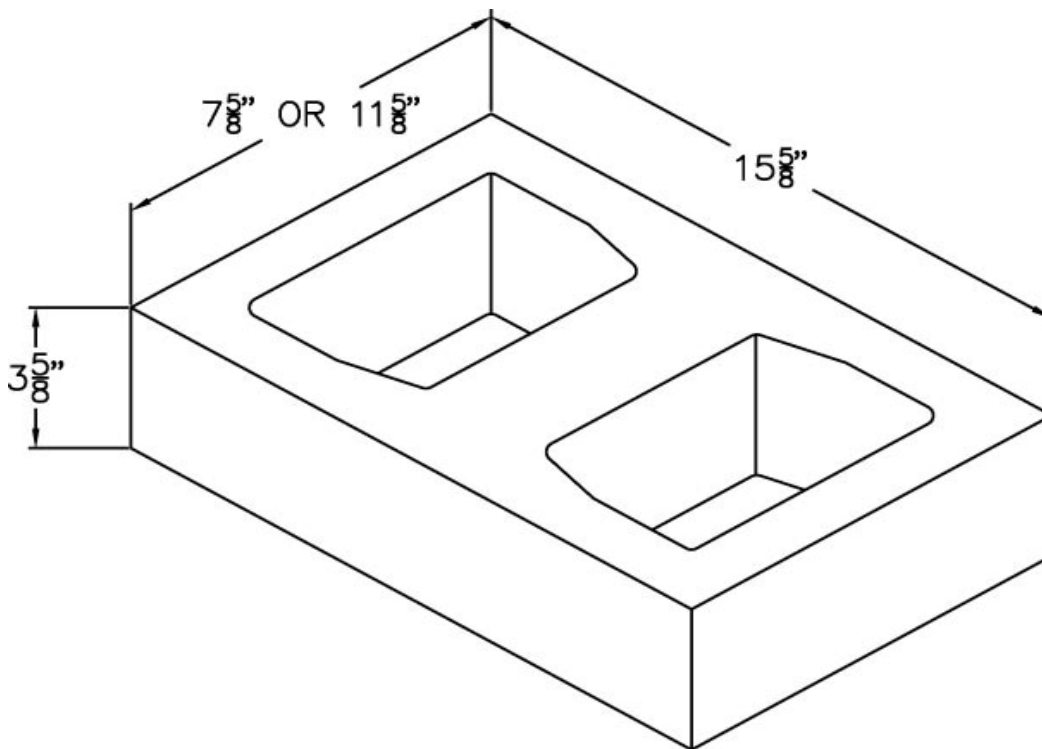


(Typical colors available, actual colors will vary by plant.)

Fire Station - Georgia
Forrestal Red with Piney Creek Accent

Technical Data

- General Shale half-high units conform to the requirements of: ASTM C-90 (*Standard Specification for Loadbearing Concrete Masonry Units*)
 - C33 *Standard Specification for Concrete Aggregates*
 - C90 *Standard Specification for Load Bearing concrete Masonry Units*
 - C140 *Standard Test Methods for Sampling and Testing Concrete Masonry Units and Related Units.*
 - C150 *Standard Specification for Portland Cement*
- Minimum compressive strength 1900 psi
- Available in 8" and 12" nominal wall thicknesses.
- Contain Integral Water Repellent, *Rheopel-Plus* by BASF at 6 oz. per cwt of cement or per project specification.



TYPICAL HALF HIGH UNIT
(ACTUAL DIMENSIONS AND CORING MAY
VARY BY PLANT)

National Concrete Masonry Association
an information series from the national authority on concrete masonry technology

DETAILS FOR HALF-HIGH CONCRETE MASONRY UNITS

TEK 5-15
Details (2008)

Keywords: bond beam, construction details, flashing, reinforced concrete masonry, single wythe construction, water penetration resistance

INTRODUCTION

Concrete masonry offers numerous functional advantages, such as structural load bearing, life and property protection, durability and low maintenance. Half-high concrete masonry units offer the additional advantages of a veneer-like appearance in economical single wythe construction. As for all concrete masonry units, integrally colored half-high brick-like units provide enduring strength and lasting resistance to fire and wind while maintaining a virtually maintenance-free façade. These attributes are appealing for both new construction and renovations in historic districts.

Many designers are turning to half-high masonry because of its economy. As an alternative to a traditional cavity wall, these walls offer the same finished appearance, exterior durability and low maintenance coupled with a shorter construction time because of the single wythe loadbearing design. This TEK describes the use of half-high units for single wythe masonry construction. For veneer applications, see References 1 and 2.

HALF-HIGH UNITS

Half-high concrete masonry units are produced to the same quality standards as other concrete masonry units. ASTM C 90, *Standard Specification for Loadbearing Concrete Masonry Units* (ref. 3) governs physical requirements such as minimum compressive strength, minimum face shell and web thicknesses, finish and appearance, and dimensional tolerances.

Like other concrete masonry units, half-highs are produced in a variety of sizes, unit configurations, colors and surface textures. In addition, special shapes, such as corners and bond beam units are also available.

WALL PERFORMANCE

Structural design considerations for half-high construction are virtually the same as those for conventional concrete masonry units. One aspect that may be different for half-high units is the unit strength. Typical nonarchitectural concrete

masonry units have a minimum unit strength of 1,900 psi (13.10 MPa), corresponding to a specified compressive strength of masonry, f'_m , of 1,500 psi (10.34 MPa). Half-high and other architectural units, however, are typically manufactured to a higher unit strength. Designers should check with producers about the strength of locally available units, with the intent of taking advantage of these higher strengths in their designs when available.

Section properties for half-high units are essentially the same as for full-height units, and the same design aids can be used for both (see Reference 4). In addition, because the core sizes are also typically the same as for full-height units of the same thickness, considerations for maximum reinforcing bar size as a percentage of the cell area are the same as well. See Reference 5 for more detailed information.

Because there are more horizontal mortar joints in a wall constructed using half-high units, there is slightly less concrete web area in the wall overall. Although this theoretically reduces the wall weight, in practice the wall weights of walls constructed using half-high units are within 1 psf (0.05 kPa) of those for full height units (see Reference 6).

To facilitate the construction of bond beams, half-high bond beam units are typically available with depressed webs to accommodate horizontal reinforcement. Grouting two half-high units provides an 8-in. (203-mm) deep bond beam,



Single Wythe Half-High Construction in Hartland, Wisconsin

as shown in Figures 1 through 3. Note that the bottom unit of the bond beam should have depressed webs to accommodate the horizontal reinforcement, but the top unit need not have depressed webs.

Performance criteria for fire resistance ratings, energy efficiency and acoustics of half-high units can be considered to be the same as for similar full height units. See references 7 through 11 for further information. In addition, detailing window openings, door openings, etc., is the same as for single wythe masonry walls constructed using full-height units.

CONSTRUCTION

Construction of half-high concrete masonry is very similar to that for conventional units. Some differences include: an increased number of courses laid per wall height, greater amount of mortar needed, as well as the difference in bond

beam construction noted above. Crack control considerations are the same as for full height units.

As an alternative to supporting trusses by means of a pocket in the masonry wall or by joist hangers, Figure 4 shows a unique application where half-high units have been corbelled out to provide bearing for a wood truss floor. This also provides continuous non-combustible bearing thickness without the need to stagger the joists. See Reference 12 for additional floor and roof connection details.

As for any single wythe construction, particular care should be taken to prevent water from entering the interior of the building. Dry concrete masonry walls are attained when both the design and construction address water movement into, through and out of the wall. Considerations include potential sources of water, unit and mortar characteristics, crack control, workmanship, mortar joint tooling, flashing and weeps, sealants, and water repellents. For single wythe masonry, an

integral water repellent in both the units and mortar, as well as a compatible post-applied surface water repellent are recommended. See References 13 through 18 for more detailed information.

Figure 1 shows a proprietary flashing system that collects and directs water to the exterior of the wall and out weep holes, without compromising the bond at mortar joints in the face shells (see reference 15 for recommended flashing locations). There are a number of generic and proprietary, flashing, drainage, weep, mortar dropping control, and rain screen systems available. Single wythe flashing details using conventional flashing are included in Reference 14.

Solid grouted single wythe walls tend to be less susceptible than ungrouted or partially grouted walls to moisture penetration, since

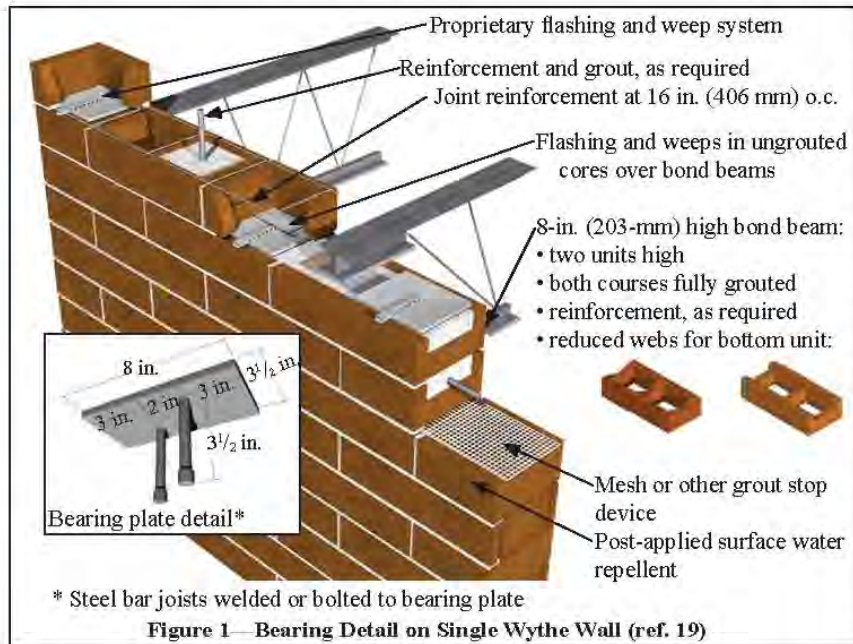


Figure 1—Bearing Detail on Single Wythe Wall (ref. 19)

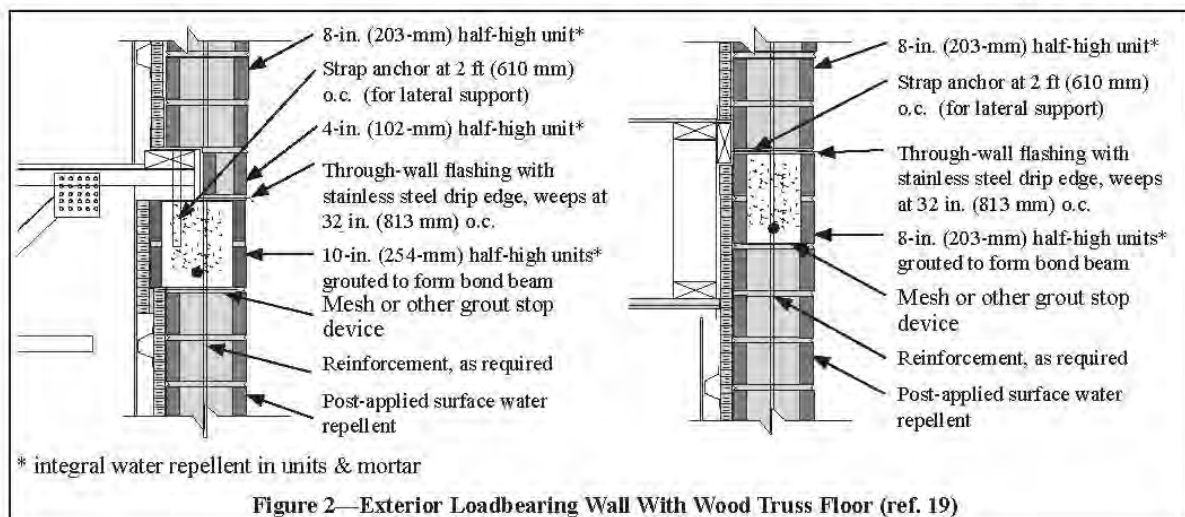
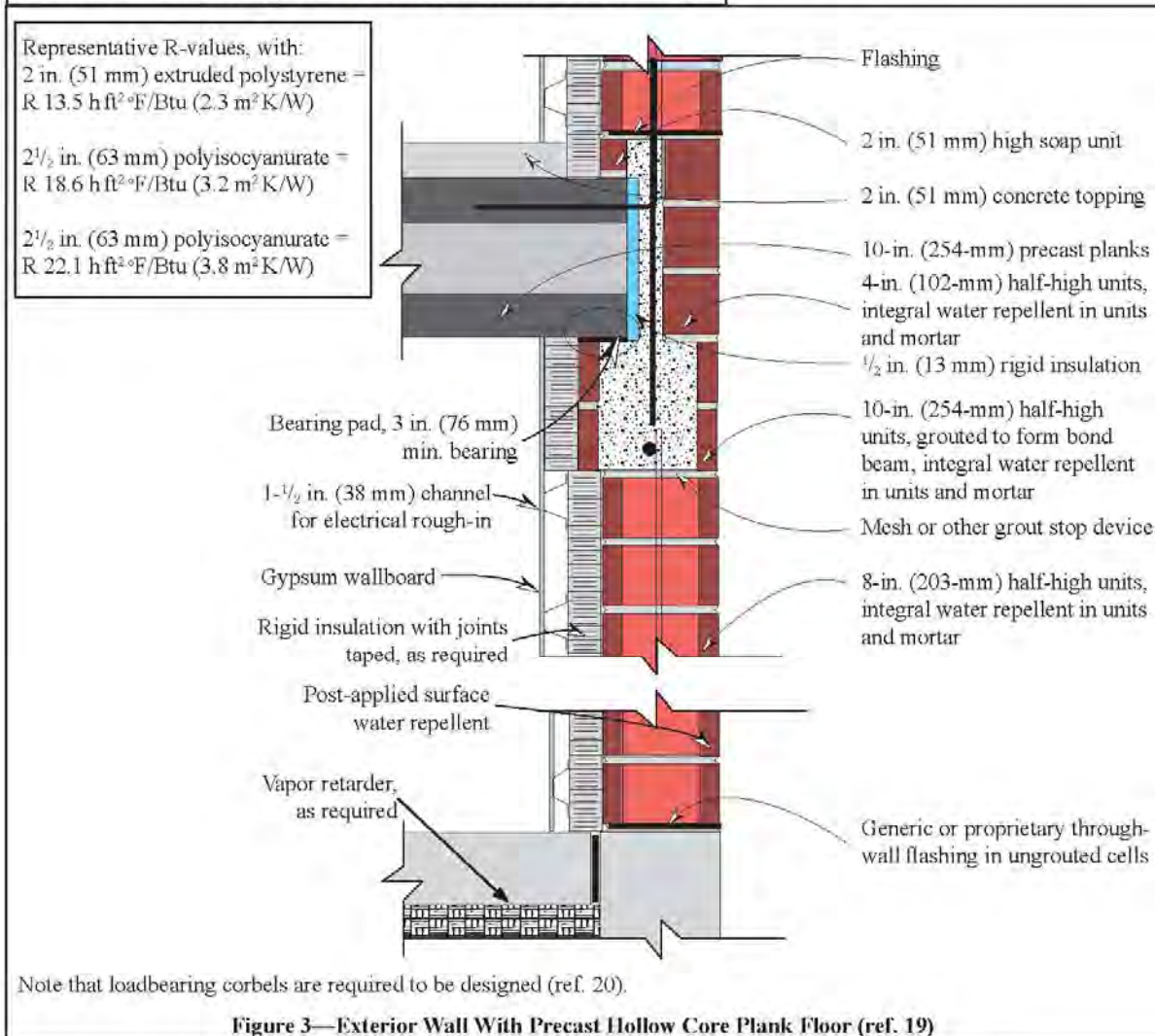
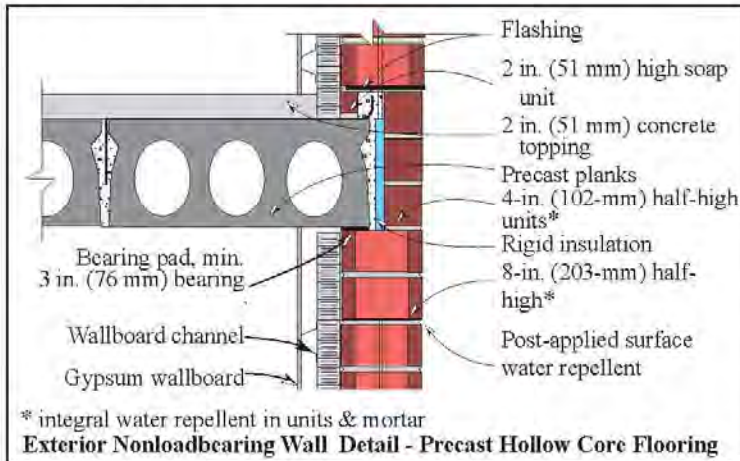


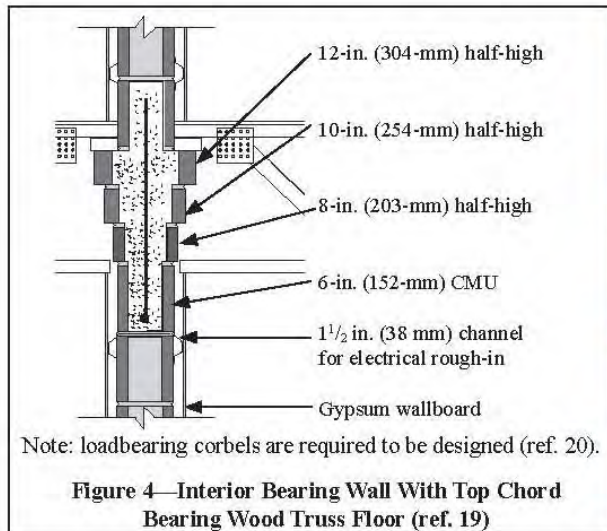
Figure 2—Exterior Loadbearing Wall With Wood Truss Floor (ref. 19)

voids and cavities where moisture can collect are absent. As a result, solid grouted walls do not require flashing and weeps, although they do require other moisture control provisions, such as sealants and water repellents. For partially grouted walls, flashing should be placed in ungrouted cells.

REFERENCES

1. *Concrete Masonry Veneers*, TEK 3-6B. National Concrete Masonry Association, 2005.
2. *Crack Control for Concrete Brick and other Concrete Masonry Veneers*, TEK 10-4. National Concrete Masonry Association, 2001.
3. *Standard Specification for Loadbearing Concrete Masonry Units*, ASTM C 90-06b. ASTM International, Inc., 2006.
4. *Section Properties of Concrete Masonry Walls*, TEK 14-1B. National Concrete Masonry Association, 2007.
5. *Steel Reinforcement for Concrete Masonry*, TEK 12-4D. National Concrete Masonry Association, 2006.
6. *Concrete Masonry Wall Weights*, TEK 14-13B. National Concrete Masonry Association, 2008.
7. *Fire Resistance Ratings of Concrete Masonry Assemblies*, TEK 7-1B. National Concrete Masonry Association, 2008.





REFERENCES (cont'd)

8. *R-Values for Single Wythe Concrete Masonry Walls*, TEK 6-2A. National Concrete Masonry Association, 2005.
9. *Sound Transmission Class Ratings for Concrete Masonry Walls*, TEK 13-1B. National Concrete Masonry Association, 2008.
10. *Noise Control With Concrete Masonry*, TEK 13-2A. National Concrete Masonry Association, 2007.
11. *Outside-Inside Transmission Class of Concrete Masonry Walls*, TEK 13-4. National Concrete Masonry Association, 2008.
12. *Floor and Roof Connections to Concrete Masonry Walls*, TEK 5-7A. National Concrete Masonry Association, 2001.
13. *Water Repellents for Concrete Masonry Walls*, TEK 19-1. National Concrete Masonry Association, 2005.
14. *Design for Dry Single-Wythe Concrete Masonry Walls*, TEK 19-2A. National Concrete Masonry Association, 2008.
15. *Flashing Strategies for Concrete Masonry Walls*, TEK 19-4A. National Concrete Masonry Association, 2008.
16. *Flashing Details for Concrete Masonry Walls*, TEK 19-5A. National Concrete Masonry Association, 2008.
17. *Joint Sealants for Concrete Masonry Walls*, TEK 19-6. National Concrete Masonry Association, 2008.
18. *Characteristics of Concrete Masonry Units With Integral Water Repellents*, TEK 19-7. National Concrete Masonry Association, 2008.
19. *Intelligent Design, Half-Half Architectural CMU*. Illinois Concrete Products Association.
20. *Building Code Requirements for Masonry Structures*, ACI 530-08/ASCE 5-08/TMS 402-08. Reported by the Masonry Standards Joint Committee, 2008.

Provided by:



NCMA and the companies disseminating this technical information disclaim any and all responsibility and liability for the accuracy and the application of the information contained in this publication.

NATIONAL CONCRETE MASONRY ASSOCIATION
13750 Sunrise Valley Drive, Herndon, Virginia 20171
www.ncma.org

To order a complete TEK Manual or TEK Index,
contact NCMA Publications (703) 713-1900

DESIGN FOR DRY SINGLE-WYTHER CONCRETE MASONRY WALLS

TEK 19-2A

Water Penetration Resistance (2008)

Keywords: architectural, capillary suction, coatings, construction details, flashing, moisture, single-wythe, tooling mortar joints, wall drainage, water resistance, water repellents, weep holes

INTRODUCTION

Single-wythe concrete masonry construction has become a predominant method of construction with the increased use of integrally colored architectural concrete masonry units. Single-wythe walls are cost competitive with other systems because they provide structural form as well as an attractive architectural facade. However, single-wythe concrete masonry walls, as opposed to cavity and veneered walls, require special attention regarding moisture penetration issues.

The major objective in designing dry concrete masonry walls is to keep water from entering or penetrating the wall. In addition to precipitation, moisture can find its way into masonry walls from a number of different sources. Dry concrete masonry walls are obtained when the design and construction addresses the movement of water into, through, and out of the wall. This includes detailing and protecting roofs, windows, joints, and other features to ensure water does not penetrate the wall.

SOURCES OF WATER IN WALLS

The following moisture sources need to be considered in the design for dry concrete masonry walls.

Driving Rain

Moisture in liquid form can pass through concrete masonry units and mortar when driven by a significant force. However, these materials generally are too dense for water to pass through quickly. If water enters the wall, it often can be traced to the masonry unit-mortar interface due to improperly filled joints or lack of bond between the unit and the mortar. Cracks caused by building movements, or gaps between adjoining building segments (roofs, floors, windows, doors, etc.) and masonry walls are other common points of water entry.

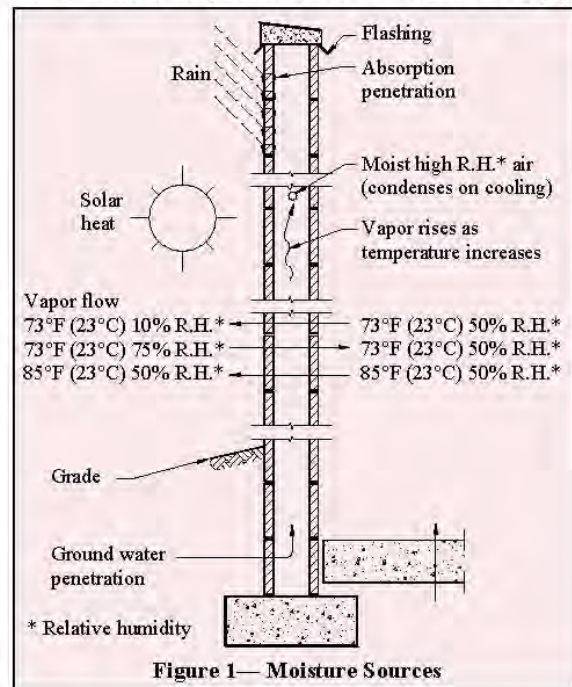
Capillary Suction

Untreated masonry materials typically take on water through capillary forces. The amount of water depends on the capillary suction characteristics of the masonry and mortar.

Integral water repellents greatly reduce the absorption characteristics of the units and mortar, but may not be able to prevent all moisture migration if there is a significant head pressure – 2 in. (51 mm) or more. Post-applied surface treatments reduce the capillary suction of masonry at the treated surface as well but have little effect on the interior of the units. This is discussed in more detail later.

Water Vapor

Water as vapor diffuses toward a lower vapor pressure. This means it will move from the higher toward the lower relative humidity regions assuming no pressure or temperature differential. Vapor in air of the same humidity and pressure, but of different temperatures, will move from the higher



temperature to the lower. As air is cooled, it becomes more saturated and when it reaches a temperature called the dew point, the water vapor will condense into liquid form. See Figure 1.

DESIGN CONSIDERATIONS

Physical Characteristics of the Units

Open textured concrete masonry units possessing large voids (a function of density, compaction, and gradation) tend to be more permeable than closed textured units. The type of aggregate and water content used in the production of the masonry unit also affect capillary suction and vapor diffusion characteristics. Units that lend to mortar joint tooling such as standard units and scored block will form a more watertight wall than split-face units which are a little more difficult to tool. Fluted units are the most difficult to tool and therefore, the most susceptible to leakage. Horizontal effects such as corbels and ledges that hold water are also prone to be less water resistant. Units should be aged at least 21 days if possible before installation to reduce the chance of shrinkage cracks at the mortar-unit interface.

Integral Water Repellents

The use of integral water repellents in the manufacture of concrete masonry units can greatly reduce the absorption characteristics of the wall. When using integral water repellents in the units, the same manufacturer's water repellent for mortar must be incorporated in the field for compatibility and similar reduced water capillary suction characteristics.

Integral water repellents make masonry materials hydrophobic, thereby significantly decreasing their water absorption and wicking characteristics. While these admixtures can limit the amount of water that can pass through units and mortar, they have little impact on moisture entering through relatively large cracks and voids in the wall. Therefore, even with the incorporation of integral water repellents, proper detailing of control joints and quality workmanship to preclude beeholes and unfilled or inadequate mortar joints is still essential. Another advantage of integral water repellents is that they not only help to keep water out but also inhibit the migration of water to the interior face of the wall by capillary suction. See TEK 19-1 (ref. 1) for more complete information on integral water repellents for concrete masonry walls.

Surface Treatments

For colored architectural masonry it is recommended that a clear surface treatment be post-applied whether or not integral water repellent admixtures are used. Most post-applied coatings and surface treatments are compatible with integral water repellents although this should be verified with the product manufacturers before applying. When using standard units for single-wythe walls, an application of portland cement plaster (stucco), paint, or opaque elastomeric coatings works well. Coatings containing elastomerics have the advantage of being able to bridge small gaps and cracks. More detailed information on surface treatments and water repellents is available in TEK 19-1 (ref. 1).

Wall Drainage

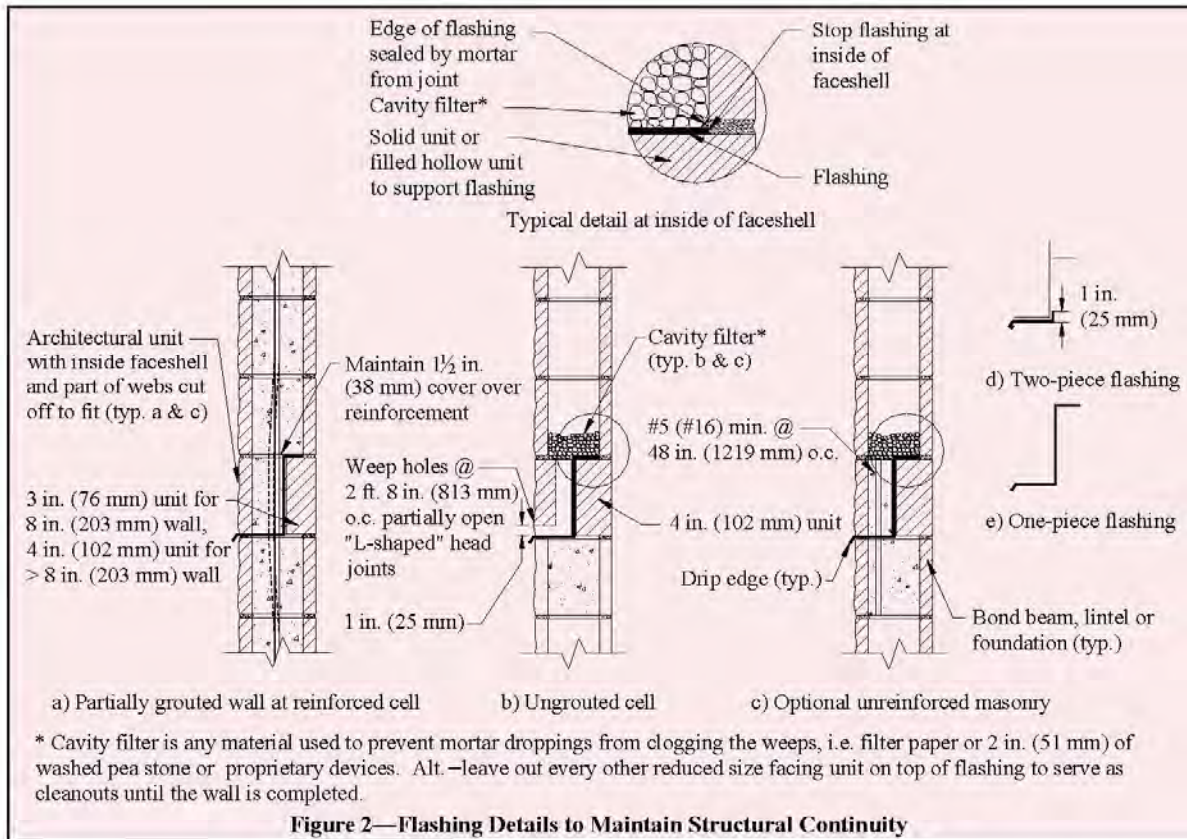
Proper detailing of masonry wall systems, to ensure good performance, can not be over emphasized. Traditionally, through-wall flashing has been used to direct water away from the inside face of the wall and toward weep holes for drainage. Modern techniques usually do not extend the flashing through the inside face shell of the wall, as shown in Figure 2, in order to retain some shear and flexural resistance capabilities. In reinforced walls, some shear is provided through doweling action of the reinforcement, and by design, the reinforcement takes all the tension per the *International Building Code* and *Building Code Requirements for Masonry Structures* (refs. 2, 3). Proper grouting effectively seals the vertical reinforcement penetrations of the flashing. The absence of reinforcement to provide doweling in plain masonry may be more of a concern, but loads tend to be relatively low in these applications. If structural adequacy is in doubt, a short reinforcing bar through the flashing with cells grouted directly above and below the flashing can be provided as shown in Figure 2c.

Critical to flashing performance is ensuring that a buildup of mortar droppings does not clog the cells or weep holes. A cavity filter, consisting of washed pea stone or filter paper, immediately above the flashing can be provided to facilitate drainage as shown in Figure 2. This should be accompanied by a means of intercepting or dispersing mortar droppings, as an accumulation can be sufficient to completely fill and block a cell at the bottom. Mortar interception or isolation devices that provide pathways for the water to migrate through the layer of mortar droppings or filling the cells with loose fill insulation, a few courses at a time as the wall is laid up, can disperse the droppings enough to prevent clogging. An alternative is to leave out facing block at regular intervals just above the flashing until the wall is built to serve as cleanouts. The units left out can be mortared in later. See TEKs 19-4A and 19-5A (refs. 4, 5) for an in-depth discussion and additional details regarding flashing.

In addition to conventional flashing systems, proprietary flashing systems are available that direct the water away from the inside face of the wall to weep holes without compromising the bond at mortar joints in the face shells. Specialty units that facilitate drainage are also available from some manufacturers. Solid grouted single-wythe walls are not as susceptible to moisture penetration, since voids and cavities where moisture can collect are absent, so do not need flashing. However, fully cured units and adequate crack control measures are especially important to minimize cracks. In some regions of the country, the bottom of the wall is recessed about an inch (25 mm) below the floor level to ensure drainage to the exterior. Veneer and cavity walls (sometimes referred to as drainage walls) of course provide the most moisture resistance.

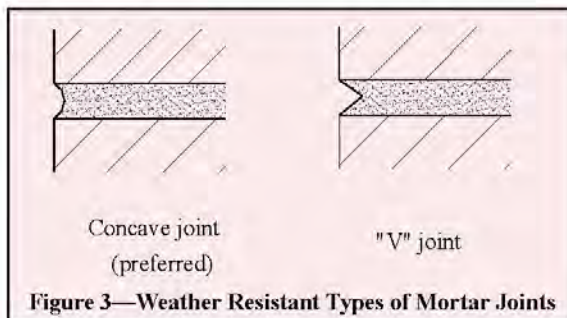
Control Joints and Horizontal Reinforcement

To alleviate cracking due to thermal and shrinkage movements of the building, control joints and/or horizontal reinforcement should be located and detailed on the plans. Wall cracking provides an entry point for rainwater and moist air that may condense on the inside of the wall. Specification of a quality sealant for the control joints and proper installation is a must. TEK 10-1A and TEK 10-2B (refs. 6, 7) provide additional information on crack control strategies.



Mortar and Mortar Joints

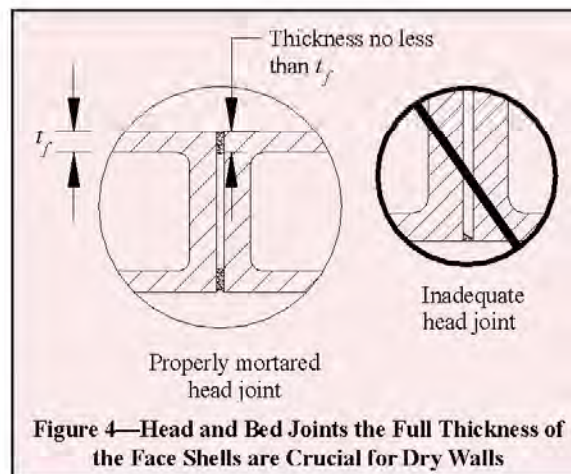
The type of mortar and mortar joint also have a great impact on the watertightness of a wall. A good rule of thumb is to select the lowest strength mortar required for structural and durability considerations. Lower strength mortars exhibit better workability and can yield a better weather resistant seal at the mortar/unit interface. Concave or V-shaped tooling of joints, when the mortar is thumbprint hard, improves rain resistance by directing water away from the surface of the wall and by compacting the mortar against the masonry unit to seal the joint. This is especially important when using integral water repellent admixtures to avoid reduced bond strength and cracking at the head joints due to the decreased affinity of the units for water. Raked, flush, struck, beaded, or extruded joints are not recommended as they do not compact



the mortar and/or create ledges that intercept water running down the face of the wall. Head and bed joints need to be the full thickness of the face shells for optimum watertightness. Head joints particularly are vulnerable to inadequate thickness (see Figure 4).

Vapor Retarders

Continuous vapor retarders to reduce the passage of water vapor into the wall generally are used only when insulation



is placed on the inside face of the wall. The relatively small amount of moisture that does get through passes through the wall by diffusion, provided that a "breathable" surface treatment is placed on the exterior. Wall thickness and dew points are also determining factors regarding vapor retarder performance. Materials most commonly used for vapor retarders are plastic film, asphalt-treated paper and aluminum foil.

Cleaning

Concrete masonry cleaning methods can generally be divided into four categories: hand cleaning, water cleaning, abrasive cleaning and chemical cleaning. In general, the least aggressive method that will adequately clean the wall should be used, as overzealous cleaning can damage the water repellent characteristics of the wall. For example, walls with integral water repellents should not be cleaned with high-pressure water because it drives water into the masonry. If an integral water repellent has been used, the integral water repellent manufacturer should be contacted for detailed cleaning recommendations. Keeping the masonry wall clean as the construction progresses, using a brush and water, minimizes cleaning efforts after the mortar has hardened. See TEK 8-4A, *Cleaning Concrete Masonry*, (ref. 9) for more detailed information.

REFERENCES

1. *Water Repellents for Concrete Masonry Walls*, TEK 19-1. National Concrete Masonry Association, 2006.
2. *International Building Code*. International Code Council, 2003 and 2006.
3. *Building Code Requirements for Masonry Structures*, ACI 530-05/ASCE 5-05/TMS 402-05, reported by the Masonry Standards Joint Committee, 2005.
4. *Flashing Strategies for Concrete Masonry Walls*, TEK 19-4A. National Concrete Masonry Association, 2008.
5. *Flashing Details for Concrete Masonry Walls*, TEK 19-5A. National Concrete Masonry Association, 2008.
6. *Crack Control in Concrete Masonry Walls*, TEK 10-1A. National Concrete Masonry Association, 2005.
7. *Control Joints for Concrete Masonry Walls - Empirical Method*, TEK 10-2B. National Concrete Masonry Association, 2008.
8. *Specification for Masonry Structures*, ACI 530.1-05/ASCE 6-05/TMS 602-05, reported by the Masonry Standards Joint Committee, 2005.
9. *Cleaning Concrete Masonry*, TEK 8-4A. National Concrete Masonry Association, 2005.

SPECIFICATIONS

Well-worded specifications are essential to ensure proper construction of the design details. Items to address in the contract documents in addition to those previously mentioned are:

- 1) All work should be in accordance with the *International Building Code and Specification for Masonry Structures* (refs. 2, 8).
- 2) Require a qualified mason by documentation of experience with similar type projects.
- 3) Require mock-up panels to assure an understanding of the level of workmanship expected and to be referred to as a standard of reference until the project is completed.
- 4) Proper storage of all masonry materials (including sand) at the job site to protect from contaminants such as dirt, rain and snow.
- 5) The tops of unfinished walls shall be covered at the end of each work day. The cover should extend 2 ft (610 mm) down both sides of the masonry and should be held securely in place.

Provided by:



NCMA and the companies disseminating this technical information disclaim any and all responsibility and liability for the accuracy and the application of the information contained in this publication.

NATIONAL CONCRETE MASONRY ASSOCIATION
13750 Sunrise Valley Drive, Hemdon, Virginia 20171
www.ncma.org

To order a complete TEK Manual or TEK Index,
contact NCMA Publications (703) 713-1900