

How-To Assemble Your  
**GATHERING**  
Square Fire Pit



PART NO. FPS-100

DIFFICULTY BEGINNER

APPROX. DIM. 3'4"W x 3'4" x 2'6"H

APPROX. WEIGHT 1,650 lbs.



**GENERAL SHALE OUTDOOR LIVING PRODUCT WARRANTY**

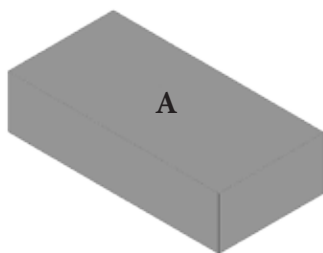
All General Shale Outdoor Living products are warranted to be made from high quality materials that meet or exceed ASTM material standards. Outdoor Living products are intended for recreational or residential use and are not warranted for any other purpose. The life of the product depends on correctness of installation and extent of usage. All metal components are subject to normal rust and corrosion.

**ANY IMPLIED WARRANTIES ARE HEREBY DISCLAIMED AND ARE EXPRESSLY EXCLUDED.**

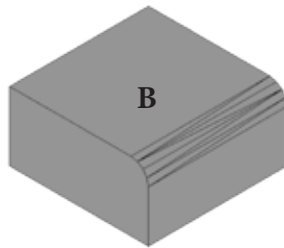
Materials included with your outdoor kit.

- (32) Block "A" (4" x 8" x 16")
- (12) Bullnose Block "B" (4" x 8" x 8")
- (4) Bullnose Block "C" (4" x 4" x 8")
- (4) Bullnose Corner Block "D" (4" x 8" x 8")
- (1) Square Fire Pit Insert
- (1) Thin Set Mix Bag (not pictured below)

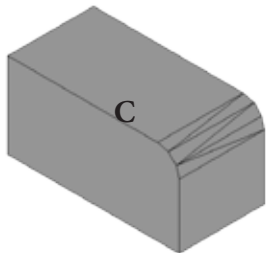
Reference images. Images are not to scale.



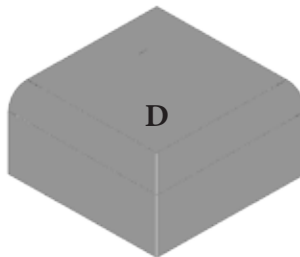
4" x 8" x 16"



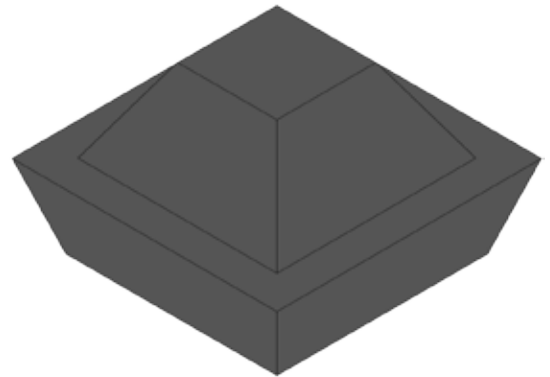
4" x 8" x 8"



4" x 4" x 8"



4" x 8" x 8"



Additional materials required to install your kit.

- Concrete or Gravel (for setting base)
- Level
- Mixing Bucket
- *Note: You may also use landscape adhesive (available separately) in place of supplied thin set mix.*

**NOTE: This unit is designed for outdoor use only. This unit is not designed to be used on wood decks or under roof enclosures. Locate unit reasonable distance from any combustible materials. Comply with local building code(s) and burning permits as applicable. Retain these instructions with unit.**

**Step  
1**

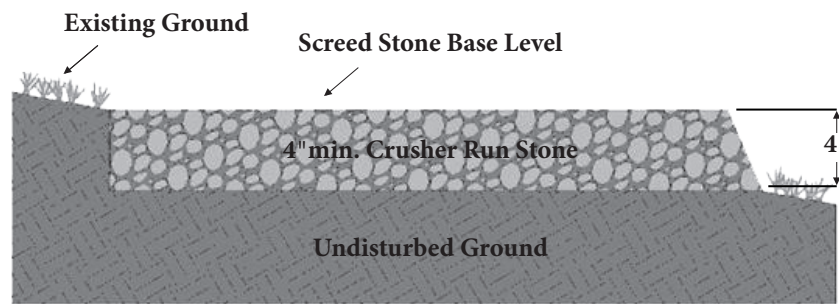
Create a level base using Crusher Run Stone to accommodate the overall footprint of the fire pit.

- Prepare an area 4' wide x 4' deep.
- Remove sod and vegetation.
- Excavate/remove soft soil as required to provide level stone surface at a minimum of 4" deep.
- If required, use landscape blocks to retain stone base.
- If installing optional hearth/knee wall, extend base as required.

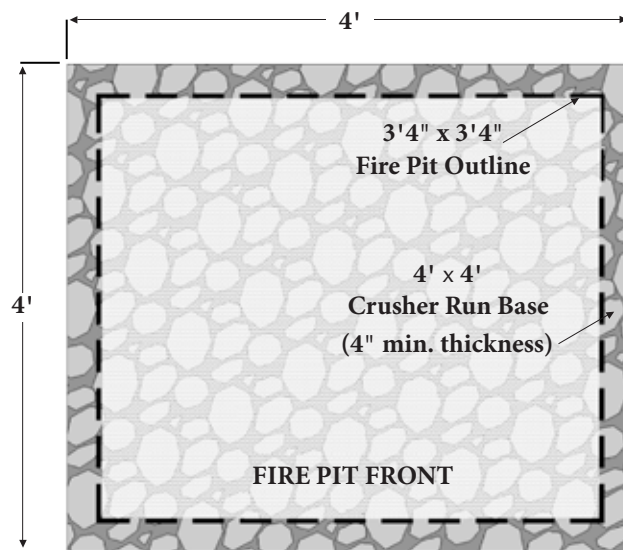


*If soil under sod is hard, soil can be leveled out and used as a base material.*

Reference diagrams for creating a level base.



(Base Section View)



(Base Plan View)

**NOTE:** All outdoor living kits can be installed directly on a properly prepared stone base. However, for best performance and appearance, a concrete pad is recommended.

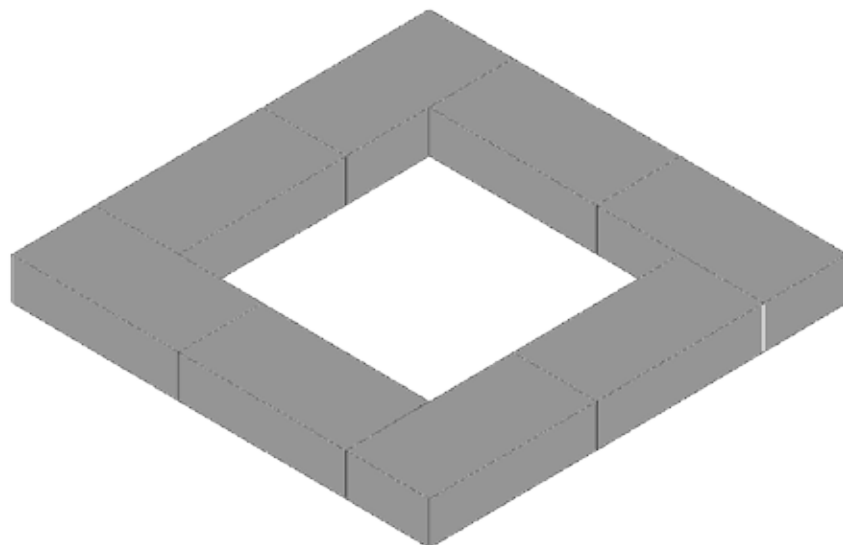
**Step  
2**

**Lay first course of block.**

- Each course will use (8) "A" blocks (4" x 8" x 16").



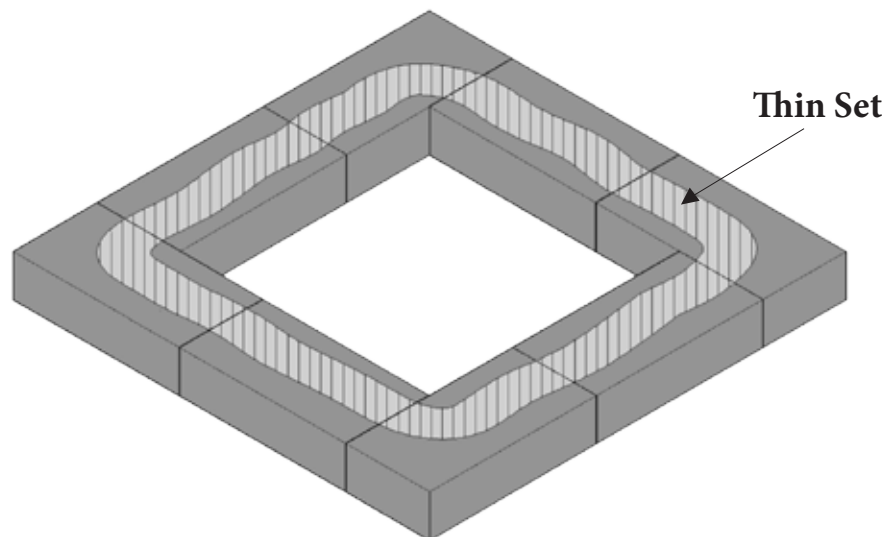
*After laying the first course, check to make sure it is level before proceeding.*



**Step  
3**

**Apply a mixed thin set between each course.**

- Apply away from outside edge to prevent thin set from squeezing out between courses.
- On each following course, push block down to spread thin set and remove any gaps between courses.

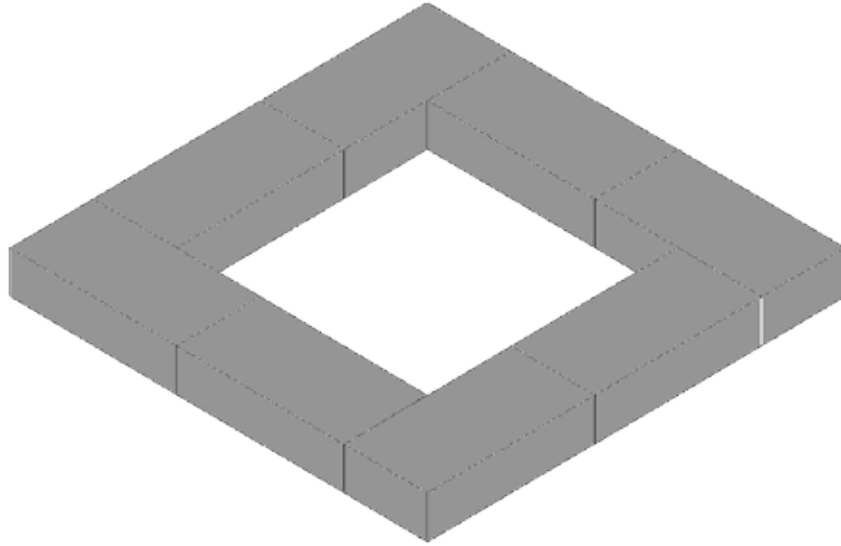


**Step**  
**4**

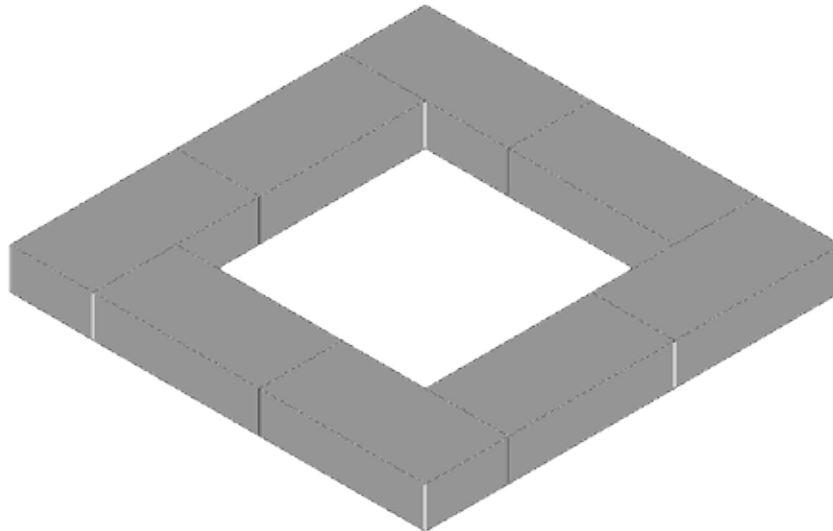
Alternate courses (1,2,3,4) to ensure proper bonding .



*Check to make sure each course is level.*



**Pattern for Courses 1 & 3.**

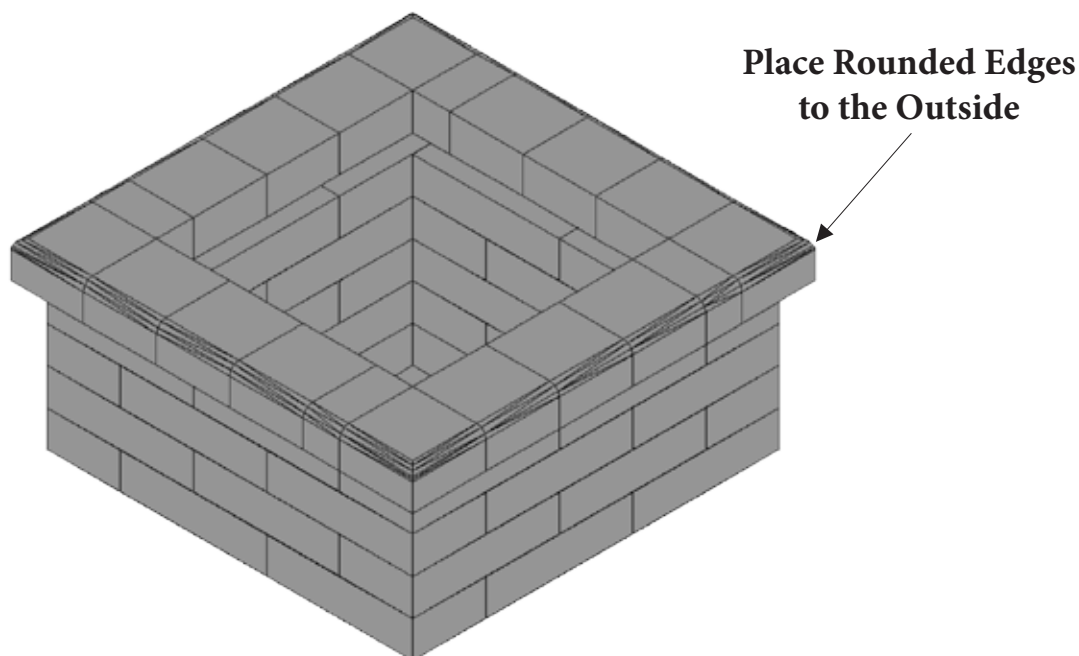


**Pattern for Courses 2 & 4.**

**Step  
4**

**Lay the top course.**

- Top course consists of 12 "B" blocks, 4 "C" blocks and 4 "D" blocks.
- Place the rounded edge on the outside; this course will have a 2" overhang on all sides.



**Step  
5**

**Once all courses have been laid and thin set has cured, drop the metal fire pit insert into place.**

- Refer to manufacturers instructions for safety information, operating instructions, care and maintenance of steel fire pit insert.
- *Note: The steel legs included in the kit will not be used.*