

How-To Assemble Your

RETREAT

Garden Bench



PART NO. BCH-100

DIFFICULTY BEGINNER

APPROX. DIM. 6'8"W x 2'D x 2'4"H

APPROX. WEIGHT 1,870 lbs.



GENERAL SHALE OUTDOOR LIVING PRODUCT WARRANTY

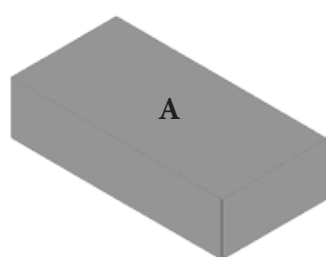
All General Shale Outdoor Living products are warranted to be made from high quality materials that meet or exceed ASTM material standards. Outdoor Living products are intended for recreational or residential use and are not warranted for any other purpose. The life of the product depends on correctness of installation and extent of usage. All metal components are subject to normal rust and corrosion.

ANY IMPLIED WARRANTIES ARE HEREBY DISCLAIMED AND ARE EXPRESSLY EXCLUDED.

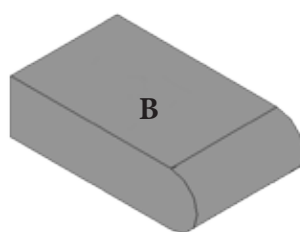
Materials included with your outdoor kit.

- (40) Block “A” (4" x 8" x 16")
- (12) Bullnose Block “B” (4" x 8" x 14")
- (2) Block “C” (4" x 8" x 8")
- (2) Concrete Seat Planks
- (1) Thin Set Mix Bag (not pictured below)

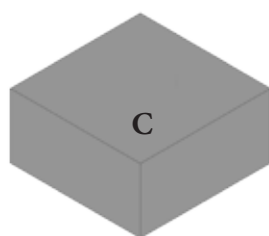
Reference images. Images are not to scale.



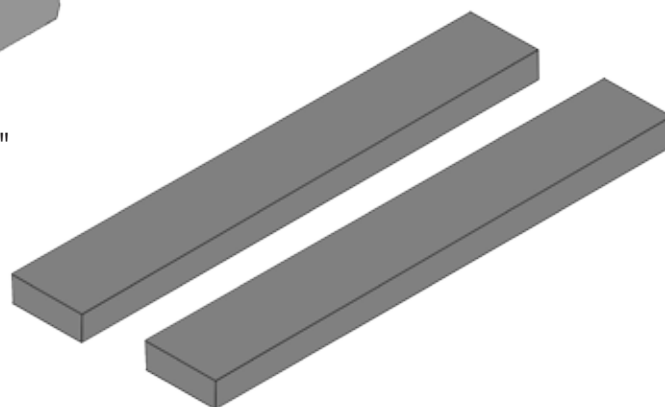
4" x 8" x 16"



4" x 8" x 14"



4" x 8" x 8"



Concrete Seat Planks

Additional materials required to install your kit.

- Concrete or Gravel (for setting base)
- Level
- Mixing Bucket
- *Note: You may also use landscape adhesive (available separately) in place of supplied thin set mix.*

NOTE: STAINING AND SEALING CONCRETE COUNTER TOPS

For best appearances, it is recommended to stain the concrete counter tops with an H&C Concrete Stain (color of your choice). For stain resistance, it is also recommended to seal the concrete counter tops with a breathable concrete sealer.

**Step
1**

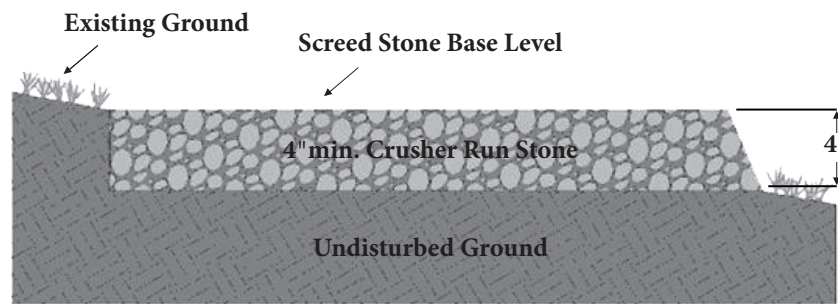
Create a level base using Crusher Run Stone to accommodate the overall footprint of the garden bench.

- Prepare an area 7'2" wide x 2'6" deep.
- Remove sod and vegetation.
- Excavate/remove soft soil as required to provide level stone surface at a minimum of 4" deep.
- If required, use landscape blocks to retain stone base.
- If installing optional hearth/knee wall, extend base as required.

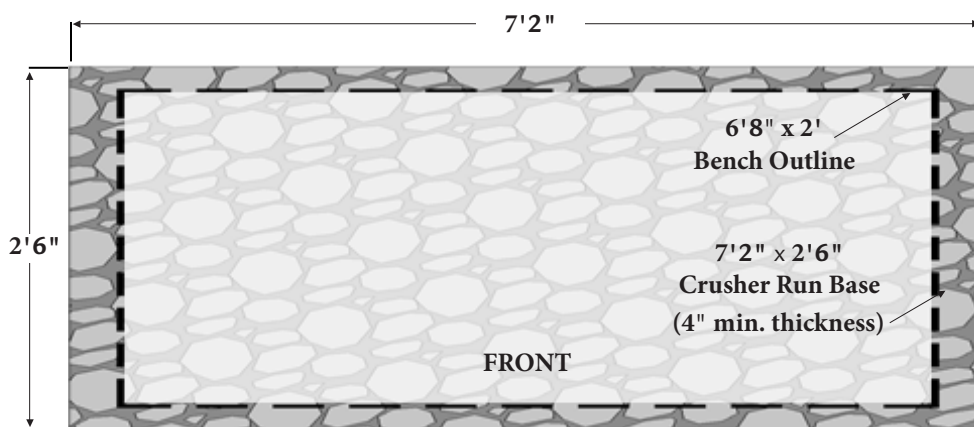


If soil under sod is hard, soil can be leveled out and used as a base material.

Reference diagrams for creating a level base.



(Base Section View)



(Base Plan View)

NOTE: All outdoor living kits can be installed directly on a properly prepared stone base. However, for best performance and appearance, a concrete pad is recommended.

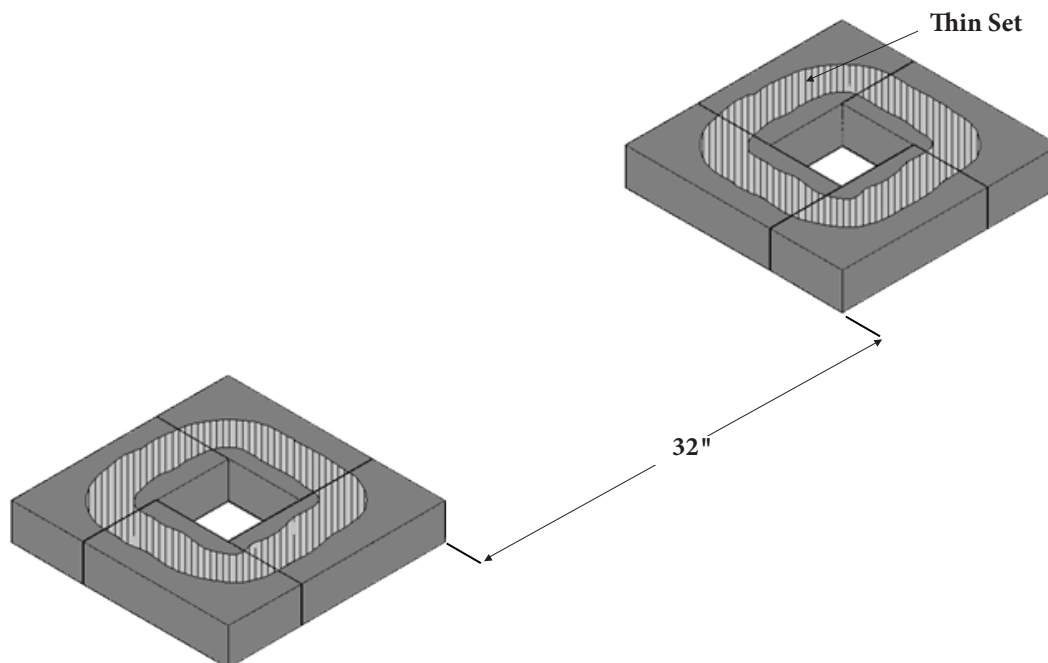
**Step
2**

Lay first course of block.

- Measure to ensure there is a consistent 32" between the two columns (this is two allow for adequate space for the seat of the bench).
- Each of the first courses will use eight (8) “A” blocks (4" x 8" x 16"); four (4) per column.

TIP *After laying the first course, check to make sure it is level before proceeding.*

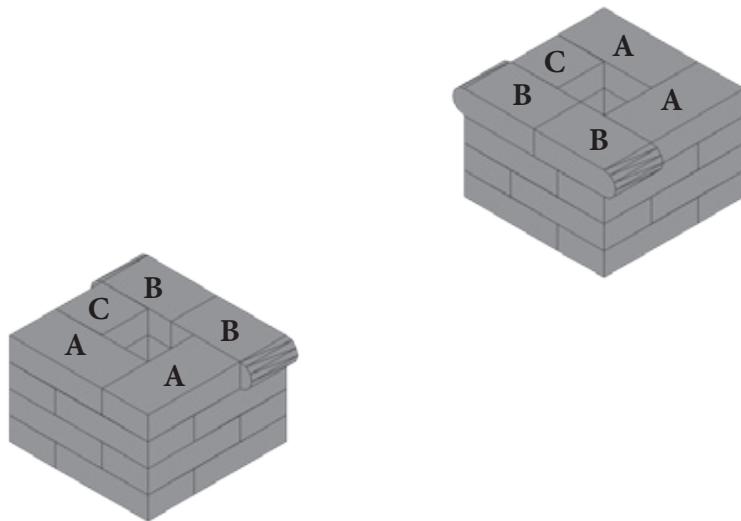
- Apply a mixed thin set between each course.
- Spread thin set away from outside edge to prevent it from squeezing out between courses.
- On each following course, push block down to spread thin set and remove any gaps between courses.



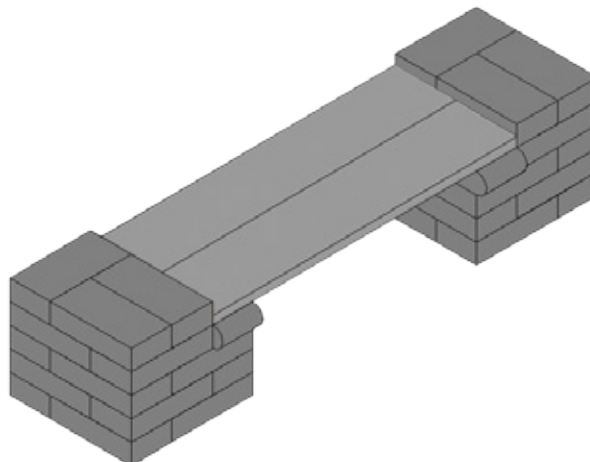
**Step
3**

Continue laying courses.

- For the first three courses of each column, alternate pattern to ensure proper bonding.
- Use the left column’s first course (see Step 2) as the right column’s second course and vice versa.
- Check to make sure each course is level and 32" is maintained between the two columns.
- Install the fourth course according to the illustration below.



- Once courses 1 through 4 have been laid, the seat planks can be set into place with thin set. The planks should be centered between the two columns with the ends lining up with the inside edge of the block directly under.



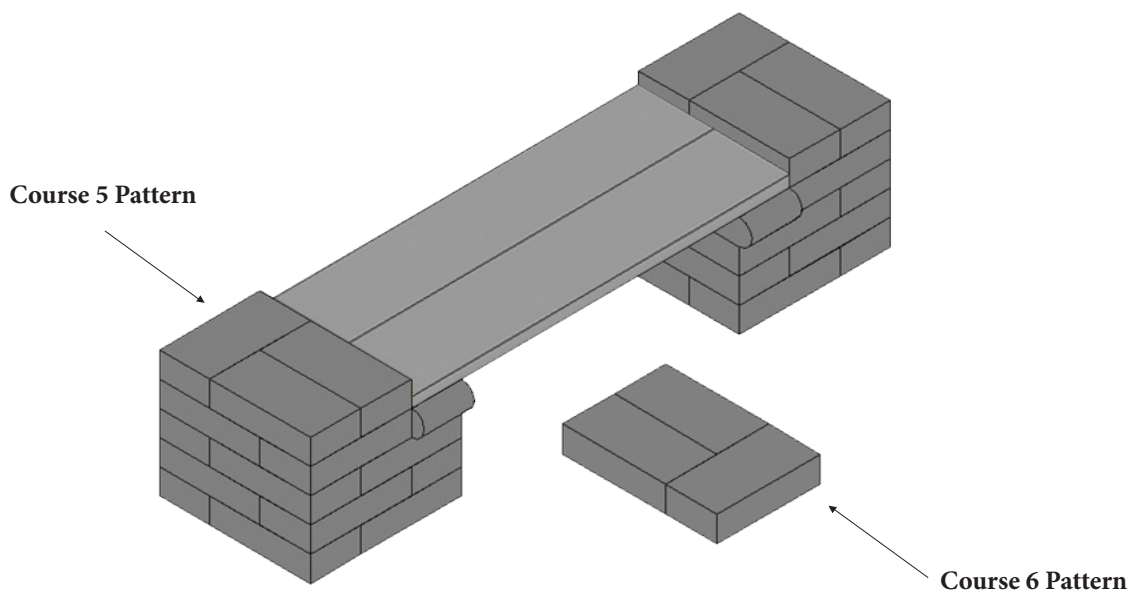
**Step
4**

Continue laying courses.

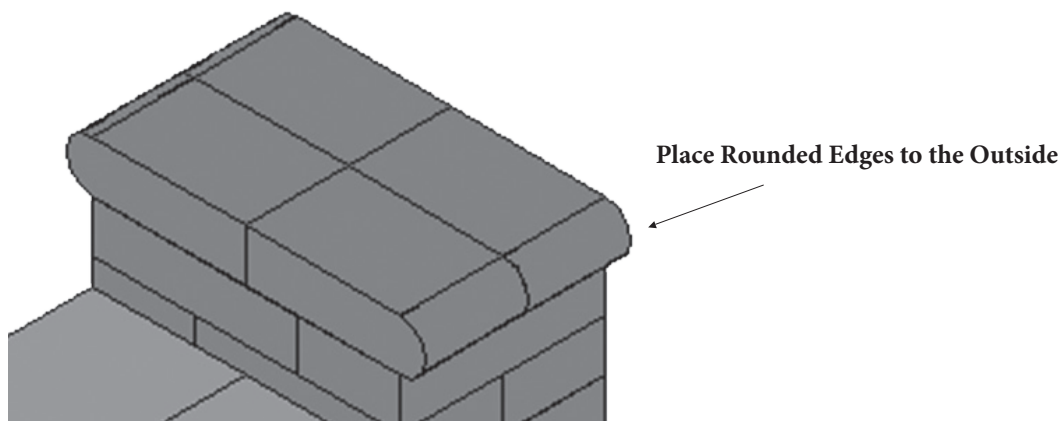
- Continue by laying courses 5 and 6 using the course patterns shown in the image below.
- Each course will use six (6) “A” blocks (4" x 8" x 16"); three (3) per column.



Remember to use thin set between all courses and to check for level.



- Lay top course using four (4) “B” (4" x 8" x 14") blocks per column.



**Step
5**

Wait 24 hours before use.

- Allow thin set 24 hours to cure before using your new garden bench.

