

THIN-CLAD

PROFILES GUIDE

November 2011



ARRISCRAFT™
INTERNATIONAL
BUILDING STONE • BRICK • LIMESTONE

Notes

SHAPES AND SIZES

Thin-Clad Renaissance® Units are available in a variety of standard sizes in two unique systems:

ARRIS•tile Renaissance® Units

CODE	HEIGHT	LENGTH	BED*
RS358 TILE	3-5/8"	23-5/8"	3/4"
RS758 TILE	7-5/8"	23-5/8"	3/4"
RS115 TILE	11-5/8"	23-5/8"	3/4"

*Due to the allowable weight restrictions of 15 lbs/ft² for adhered units, the thickness of the ARRIS•tile units is limited to a maximum of 3/4" with rocked finish and 1-3/8" with smooth finish.

ARRIS•clip Renaissance® Units

CODE	HEIGHT	LENGTH	BED
RS358 CLIP	3-5/8"	23-5/8"	1-3/8"
RS758 CLIP	7-5/8"	23-5/8"	1-3/8"
RS115 CLIP	11-5/8"	23-5/8"	1-3/8"

Corner units with 3-5/8" returns can be provided for smooth and rocked finishes for each of the Thin-Clad Renaissance® Unit systems. Return corner units are 22-7/8" long. Additional custom shapes and sizes are available, up to a maximum length of 23-5/8" and face rise of 11-5/8".

Contact your local Arriscraft representative or dealer for additional information.

GENERAL NOTES

For applicable tolerances and further information refer to 09300 - Thin Calcium Silicate Masonry Units.

Certain applications may require an engineered anchoring system for support. Refer to ARRISCRAFT.NOTES, Connectors, Part I & II.

ARRIS•tile and ARRIS•clip Renaissance® Units must be installed using industry recommended materials and techniques and conform to all related building requirements.

Proper care, installation and cleaning are required for warranty validation.

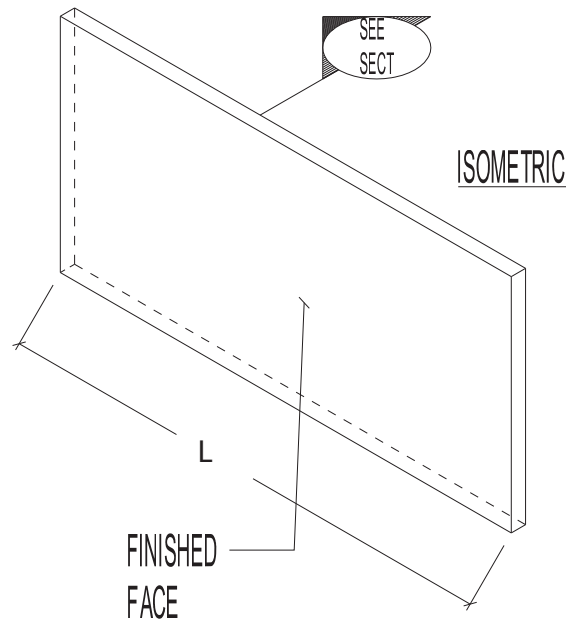
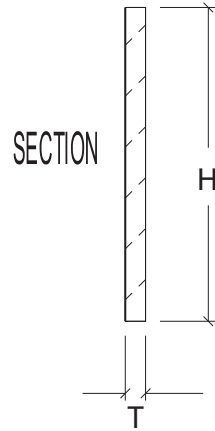
Table of Contents

ARRIS■tile SMOOTH	4
ARRIS■tile RETURN SMOOTH	4
ARRIS■tile ROCKED	5
ARRIS■tile RETURN ROCKED	5
ARRIS■tile SILL	6
ARRIS■tile SILL RETURN	6
ARRIS■tile BULLNOSE	7
ARRIS■tile BULLNOSE RETURN	7
ARRIS■tile EXTRA THICK	8
ARRIS■tile EXTRA THICK RETURN	8
ARRIS■tile EXTRA THICK WITH CHAMFER ON ONE LONG EDGE	9
ARRIS■tile EXTRA THICK RETURN WITH CHAMFER ON ONE LONG EDGE	9
ARRIS■tile EXTRA THICK WITH NOTCH ON ONE LONG EDGE	10
ARRIS■tile EXTRA THICK RETURN WITH NOTCH ON ONE LONG EDGE	10
ARRIS■tile SOLDIERED TILE CORNERS	11
SAMPLE ARRIS■tile CUSTOM STONE WINDOW SURROUNDS	12
ARRIS■clip SMOOTH	13
ARRIS■clip RETURN SMOOTH	13
ARRIS■clip SMOOTH FINISHED END STRETCHER	14
ARRIS■clip SMOOTH QUIRK MITRED STRETCHER	14
ARRIS■clip ROCKED	15
ARRIS■clip RETURN ROCKED	15
ARRIS■clip ROCKED FINISHED END	16
ARRIS■clip ROCK QUIRK MITRED FINISHED END	16
ARRIS■clip SILL	17
ARRIS■clip SILL RETURN	17
ARRIS■clip BULLNOSE	18
ARRIS■clip BULLNOSE RETURN	18
ARRIS■clip EXTRA THICK SMOOTH	19
ARRIS■clip EXTRA THICK RETURN SMOOTH	19
ARRIS■clip EXTRA THICK ROCKED	20
ARRIS■clip EXTRA THICK RETURN ROCKED	20
ARRIS■clip EXTRA THICK WITH CHAMFER ON ONE LONG EDGE	21
ARRIS■clip EXTRA THICK RETURN WITH CHAMFER ON ONE LONG EDGE	21
ARRIS■clip EXTRA THICK WITH NOTCH ON ONE LONG EDGE	22
ARRIS■clip EXTRA THICK RETURN WITH NOTCH ON ONE LONG EDGE	22
ARRIS■clip SOLDIERED	23
ARRIS■clip SOLDIERED RETURN	23

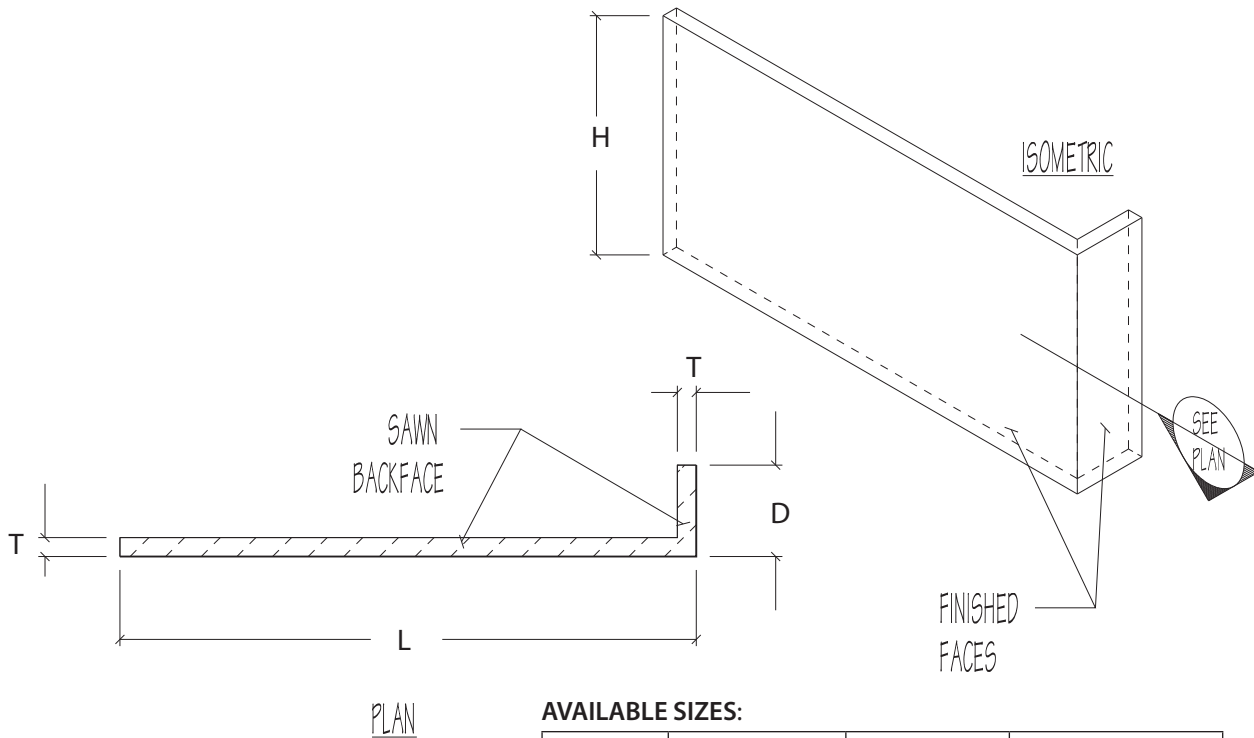
ARRIS•tile SMOOTH

AVAILABLE SIZES:

HEIGHT (H)	LENGTH (L)	STD. THICKNESS (T)
3-5/8"	23-5/8"	3/4"
7-5/8"	23-5/8"	3/4"
11-5/8"	23-5/8"	3/4"



ARRIS•tile RETURN SMOOTH



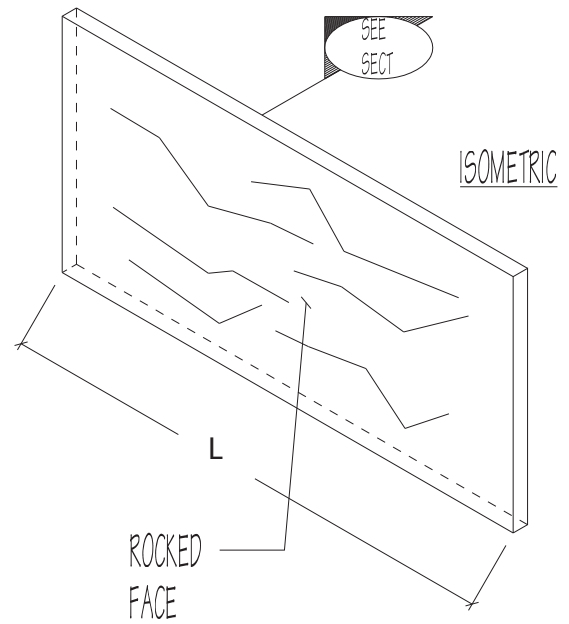
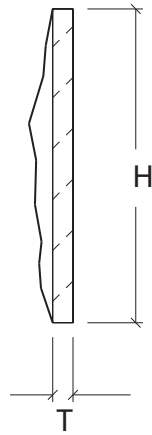
AVAILABLE SIZES:

HEIGHT (H)	LENGTH (L)	STD. DEPTH (D)	STD. THICKNESS (T)
3-5/8"	22-7/8" MAX.	3-5/8"	3/4"
7-5/8"	22-7/8" MAX.	3-5/8"	3/4"
11-5/8"	22-7/8" MAX.	3-5/8"	3/4"

ARRIS•tile ROCKED

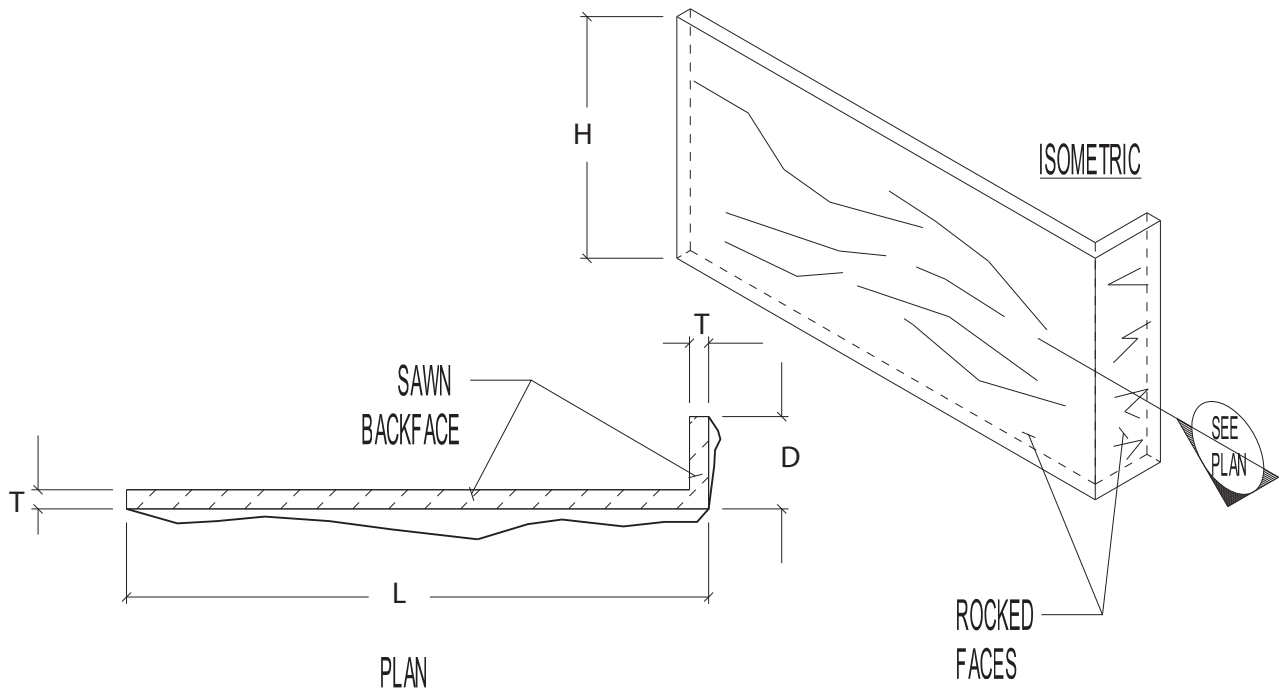
AVAILABLE SIZES:

HEIGHT (H)	LENGTH (L)	STD. THICKNESS (T)
3-5/8"	23-5/8"	3/4"
7-5/8"	23-5/8"	3/4"
11-5/8"	23-5/8"	3/4"



ARRIS•tile RETURN ROCKED

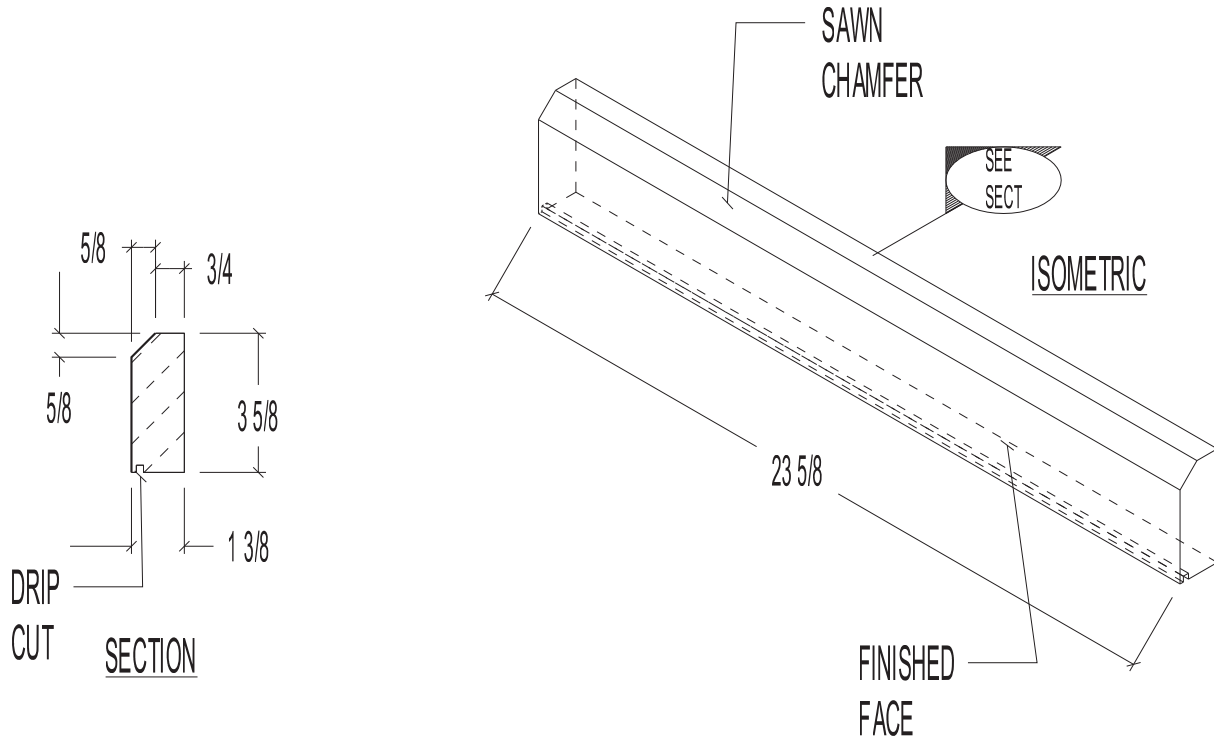
SECTION



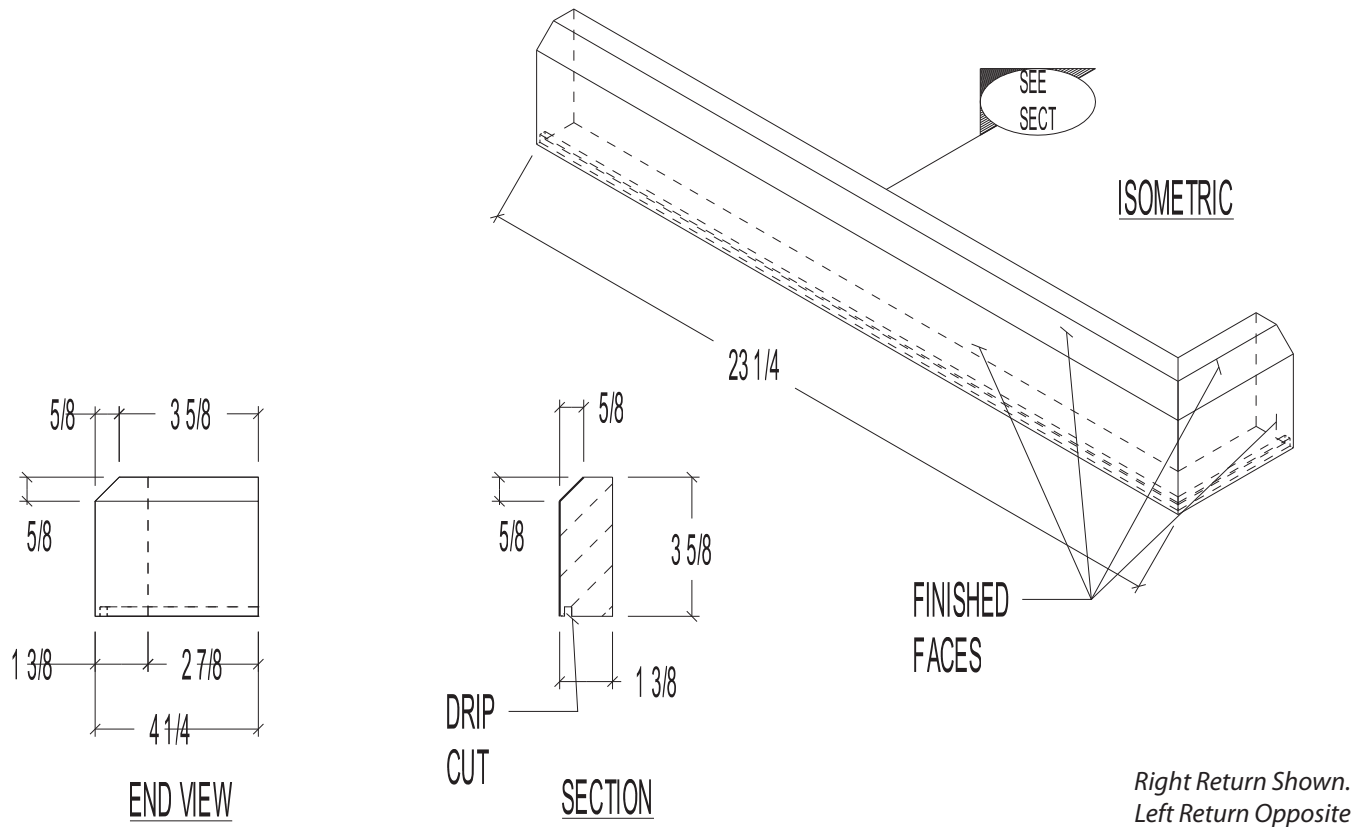
AVAILABLE SIZES:

HEIGHT (H)	LENGTH (L)	STD. DEPTH (D)	STD. THICKNESS (T)
3-5/8"	22-7/8" MAX.	3-5/8"	3/4"
7-5/8"	22-7/8" MAX.	3-5/8"	3/4"
11-5/8"	22-7/8" MAX.	3-5/8"	3/4"

ARRIS•tile SILL

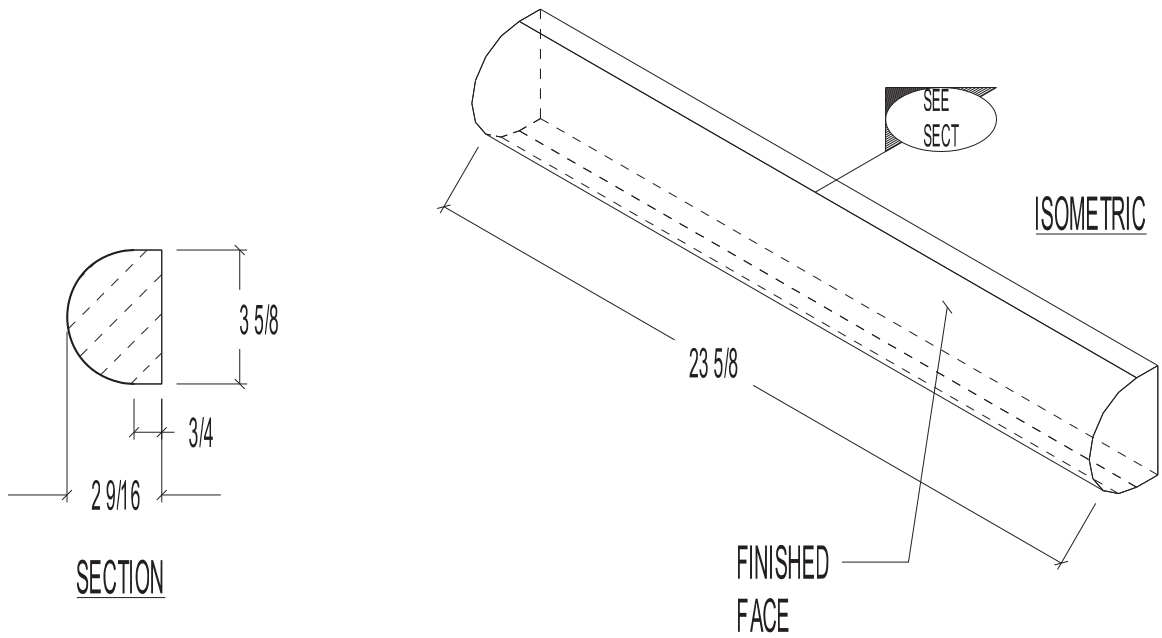


ARRIS•tile SILL RETURN

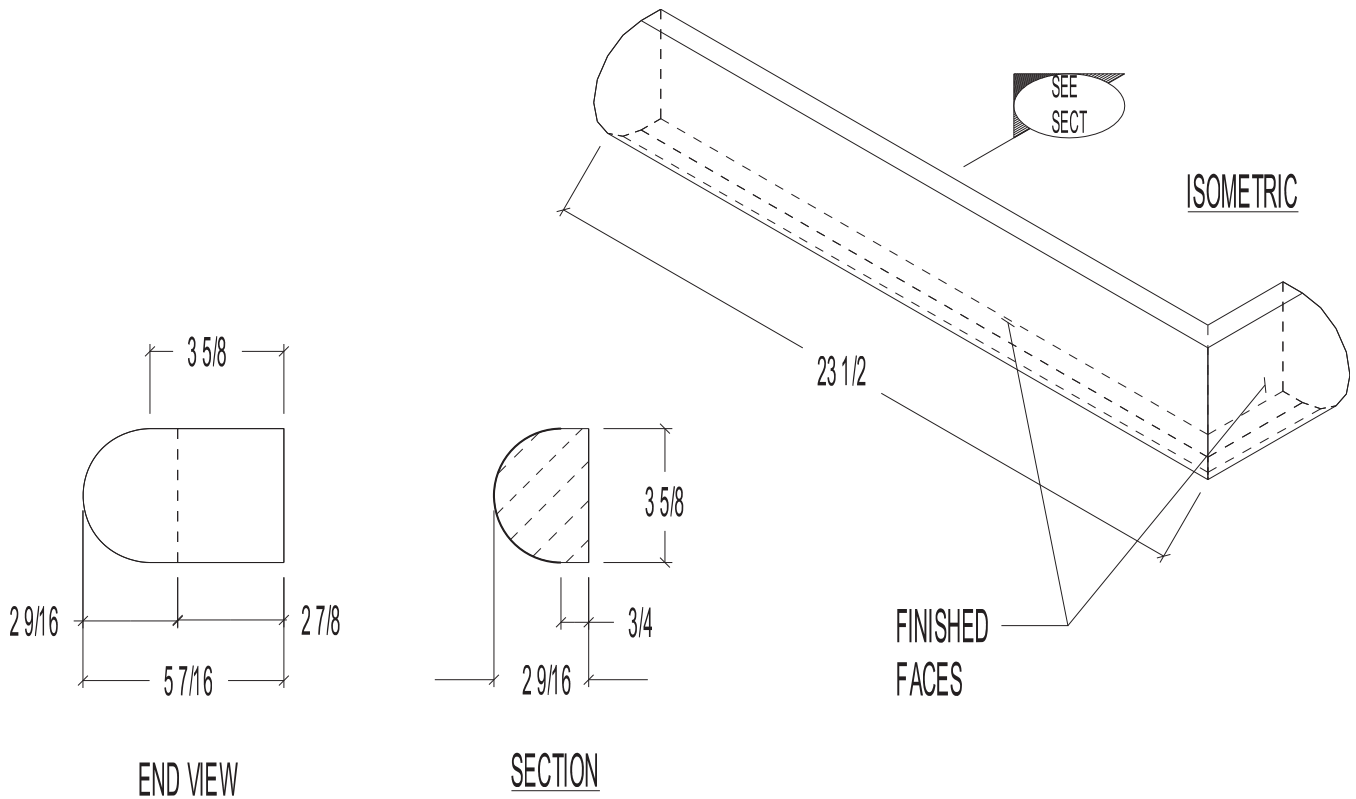


*Right Return Shown.
Left Return Opposite*

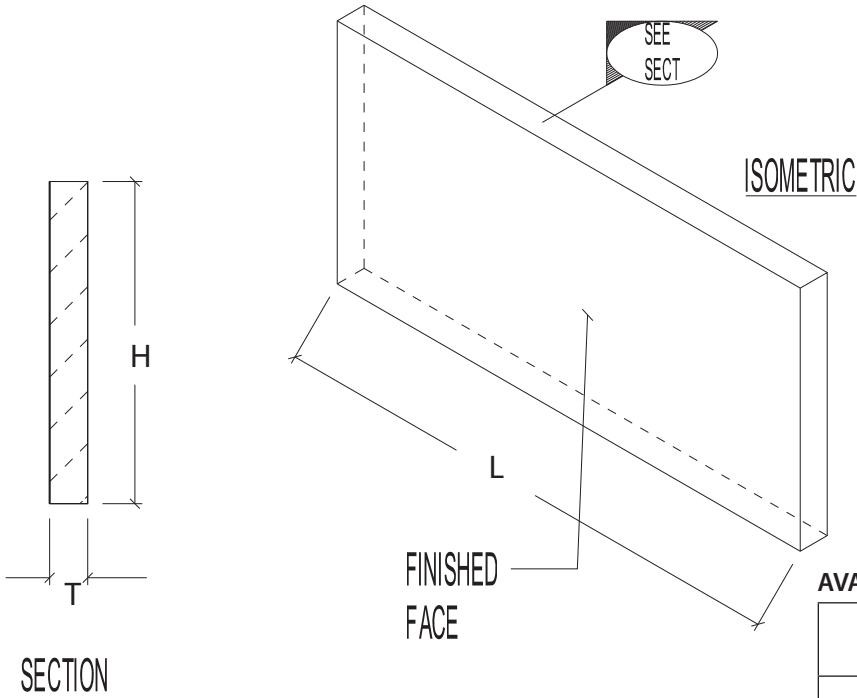
ARRIS•tile BULLNOSE



ARRIS•tile BULLNOSE RETURN



ARRIS•tile EXTRA THICK



AVAILABLE SIZES:

HEIGHT (H)	LENGTH (L)	THICKNESS (T)
3-5/8"	23-5/8"	1-3/8"
7-5/8"	23-5/8"	1-3/8"
11-5/8"	23-5/8"	1-3/8"

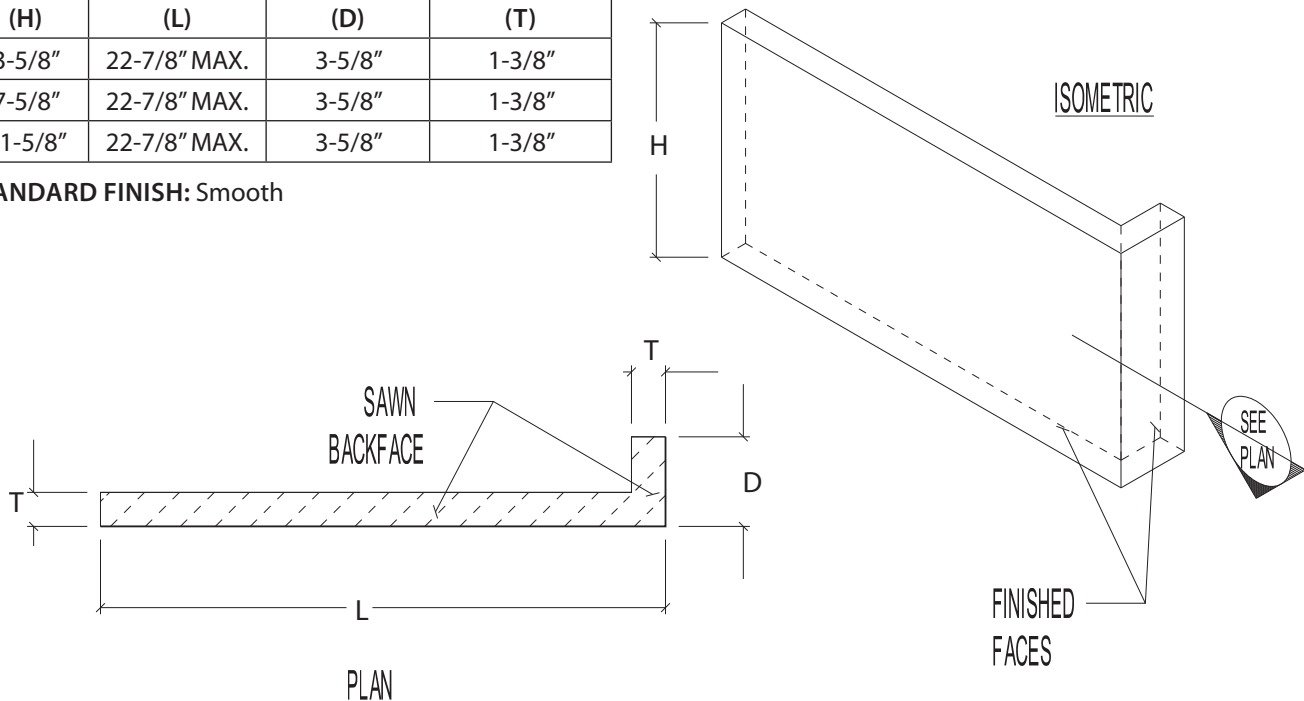
STANDARD FINISH: Smooth

ARRIS•tile EXTRA THICK RETURN

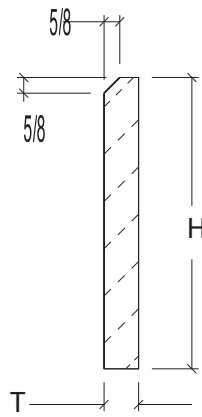
AVAILABLE SIZES:

HEIGHT (H)	LENGTH (L)	STD. DEPTH (D)	THICKNESS (T)
3-5/8"	22-7/8" MAX.	3-5/8"	1-3/8"
7-5/8"	22-7/8" MAX.	3-5/8"	1-3/8"
11-5/8"	22-7/8" MAX.	3-5/8"	1-3/8"

STANDARD FINISH: Smooth

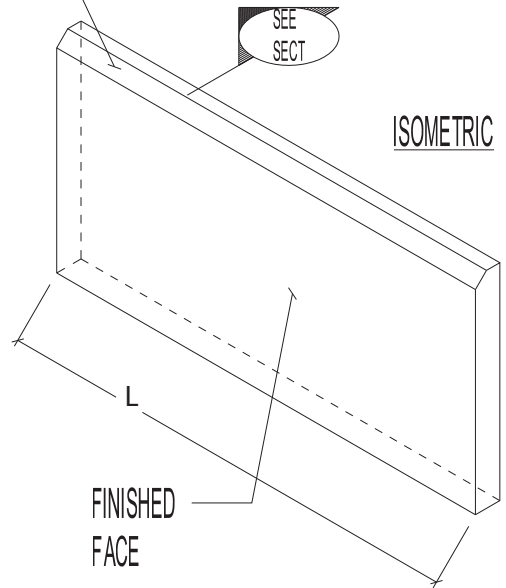


ARRIS•tile EXTRA THICK WITH CHAMFER ON ONE LONG EDGE



SECTION

SMOOTH
SAWN
CHAMFER



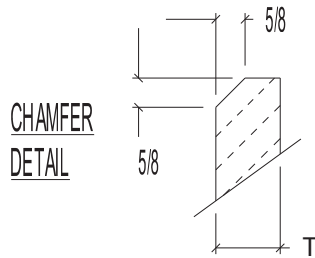
ISOMETRIC

AVAILABLE SIZES:

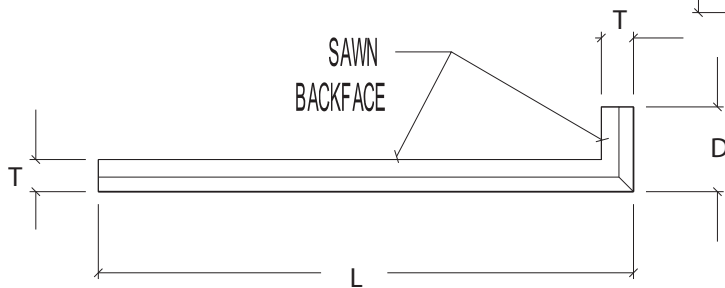
HEIGHT (H)	LENGTH (L)	THICKNESS (T)
3-5/8"	23-5/8"	1-3/8"
7-5/8"	23-5/8"	1-3/8"
11-5/8"	23-5/8"	1-3/8"

STANDARD FINISH: Smooth

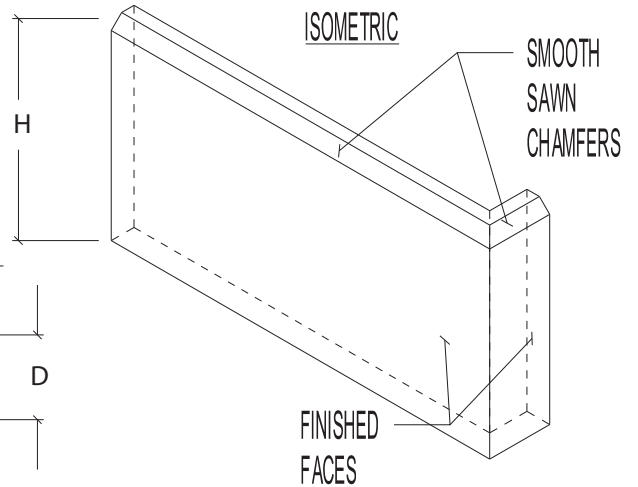
ARRIS•tile EXTRA THICK RETURN WITH CHAMFER ON ONE LONG EDGE



CHAMFER
DETAIL



PLAN



ISOMETRIC

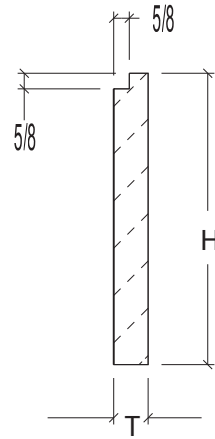
AVAILABLE SIZES:

HEIGHT (H)	LENGTH (L)	STD. DEPTH (D)	THICKNESS (T)
3-5/8"	22-7/8" MAX.	3-5/8"	1-3/8"
7-5/8"	22-7/8" MAX.	3-5/8"	1-3/8"
11-5/8"	22-7/8" MAX.	3-5/8"	1-3/8"

STANDARD FINISH: Smooth

Right Return Shown.
Left Return Opposite

ARRIS•tile EXTRA THICK WITH NOTCH ON ONE LONG EDGE

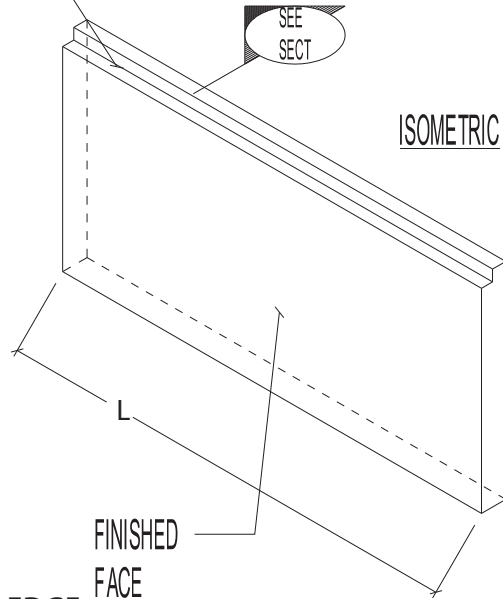


SECTION

SMOOTH
SAWN
NOTCH

SEE
SECT

ISOMETRIC

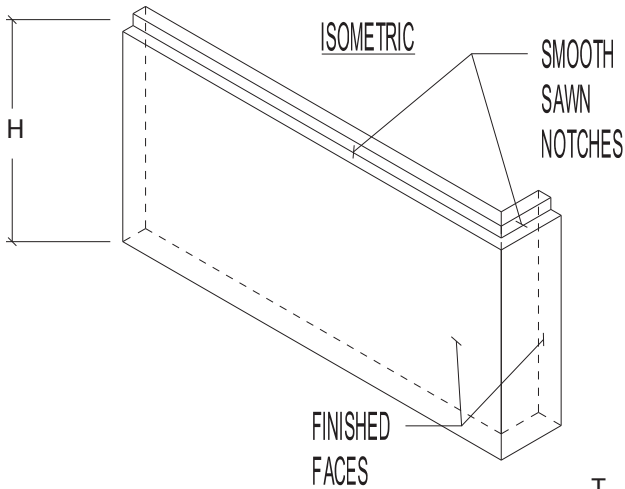


AVAILABLE SIZES:

HEIGHT (H)	LENGTH (L)	THICKNESS (T)
3-5/8"	23-5/8"	1-3/8"
7-5/8"	23-5/8"	1-3/8"
11-5/8"	23-5/8"	1-3/8"

STANDARD FINISH: Smooth

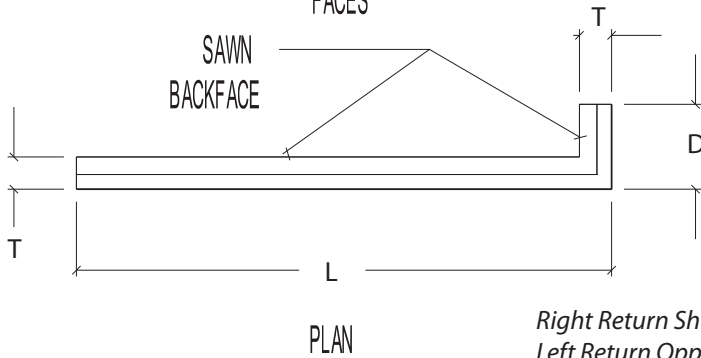
ARRIS•tile EXTRA THICK RETURN WITH NOTCH ON ONE LONG EDGE



AVAILABLE SIZES:

HEIGHT (H)	LENGTH (L)	STD. DEPTH (D)	THICKNESS (T)
3-5/8"	22-7/8" MAX.	3-5/8"	1-3/8"
7-5/8"	22-7/8" MAX.	3-5/8"	1-3/8"
11-5/8"	22-7/8" MAX.	3-5/8"	1-3/8"

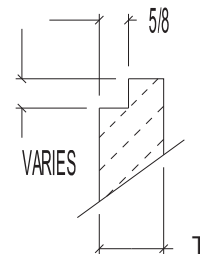
STANDARD FINISH: Smooth



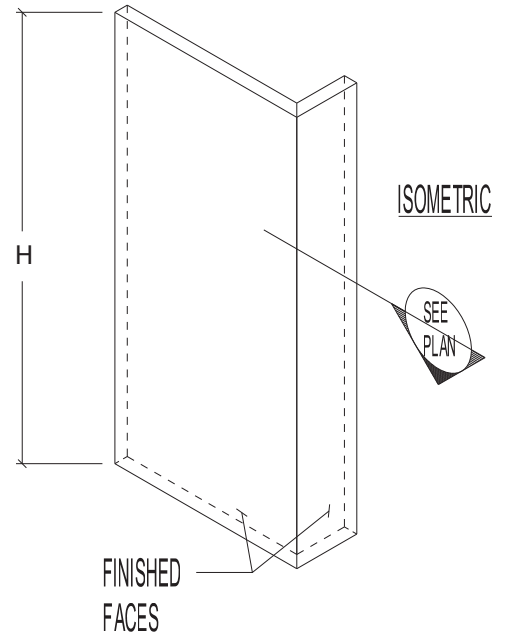
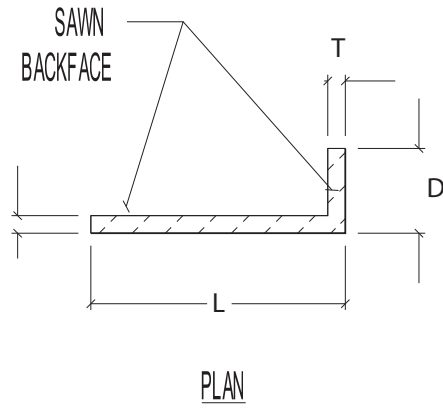
PLAN

Right Return Shown.
Left Return Opposite

NOTCH
DETAIL



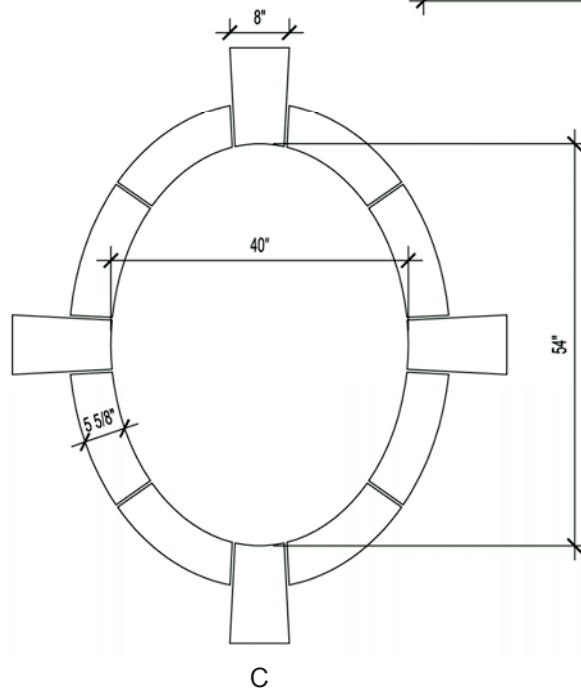
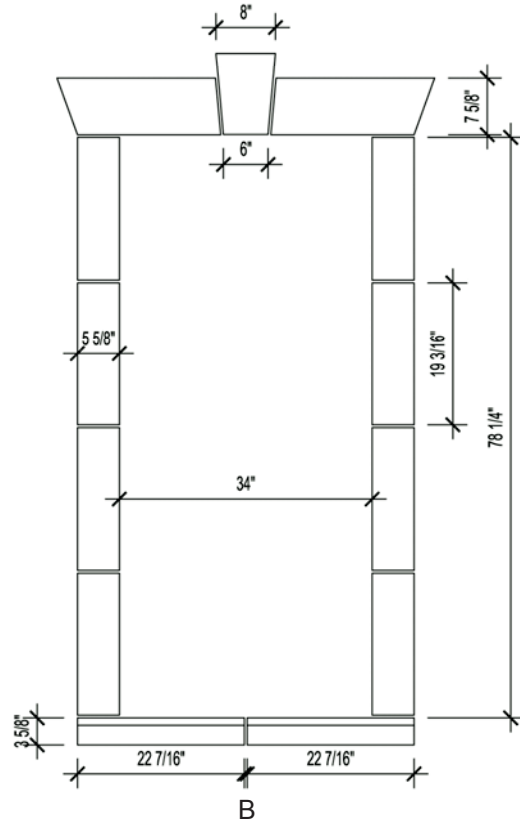
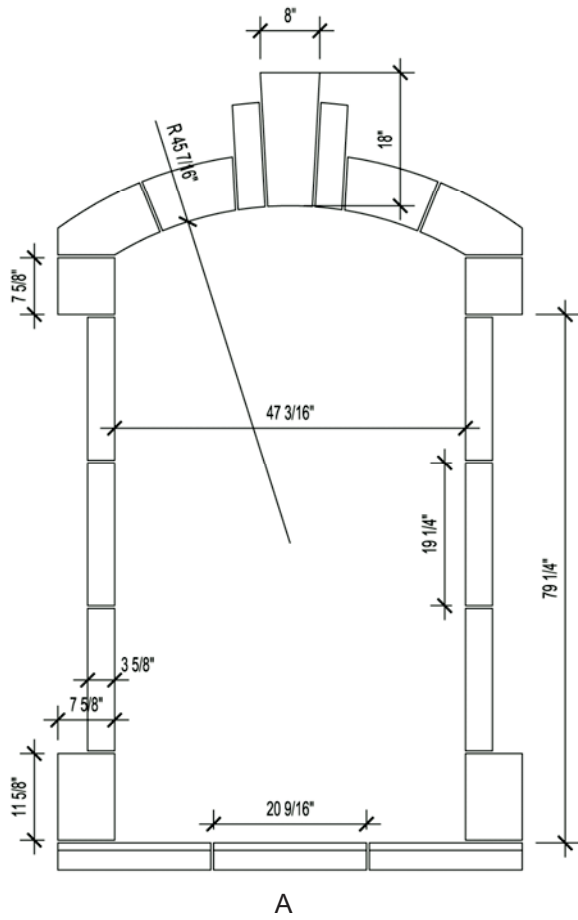
ARRIS•tile SOLDIERED TILE CORNERS



AVAILABLE SIZES:

HEIGHT (H)	LENGTH (L)	STD. DEPTH (D)	THICKNESS (T)
23-5/8"	3-5/8"	3-5/8"	3/4"
23-5/8"	7-5/8"	3-5/8"	3/4"
23-5/8"	10-7/8"	3-5/8"	3/4"

STANDARD FINISH: Smooth, Rocked



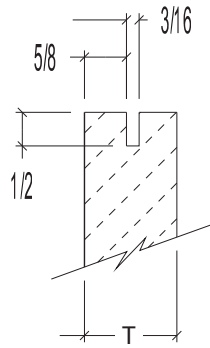
NOTES

- All window surrounds are custom. These are samples only.
- Please consult with Arriscraft Technical Services for assistance with your particular design.

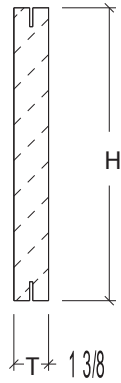
ARRIS•clip SMOOTH

NOTES:

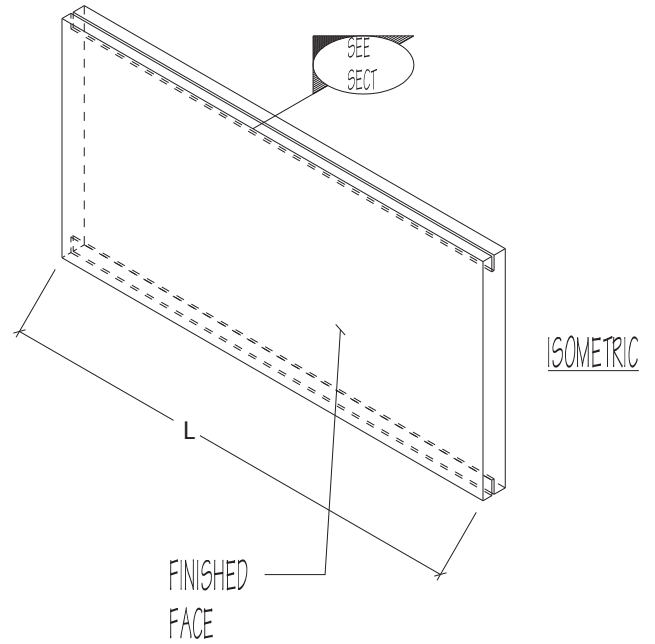
1. HEAVY LINES INDICATE FINISHED FACES



ANCHOR
SLOT DETAIL



SECTION

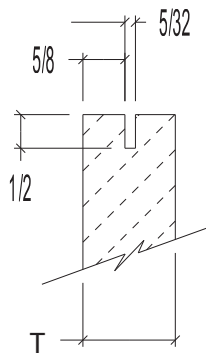


ISOMETRIC

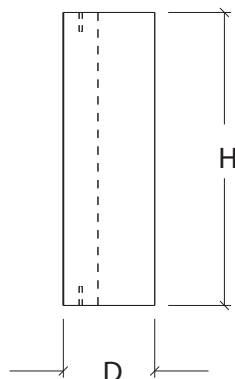
AVAILABLE SIZES:

HEIGHT (H)	LENGTH (L)	STD. THICKNESS (T)
3-5/8"	23-5/8"	1-3/8"
7-5/8"	23-5/8"	1-3/8"
11-5/8"	23-5/8"	1-3/8"

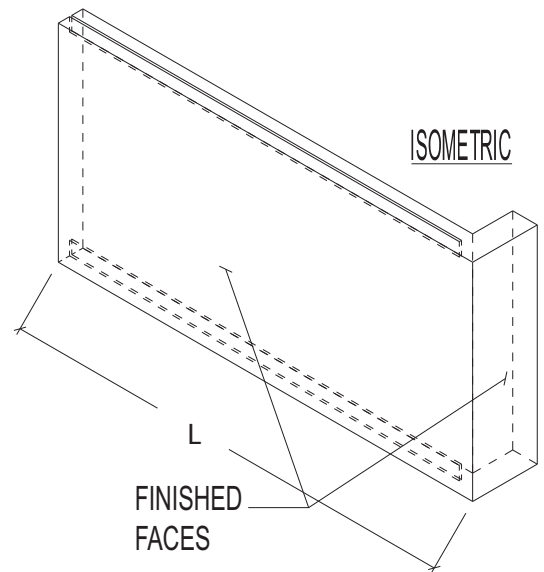
ARRIS•clip RETURN SMOOTH



ANCHOR
SLOT
DETAIL



END VIEW

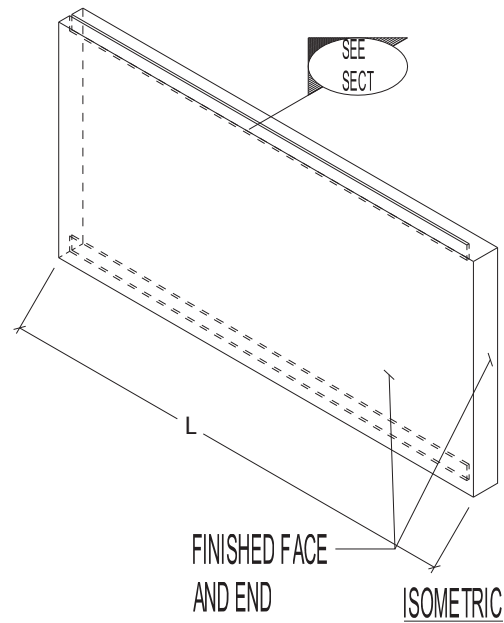
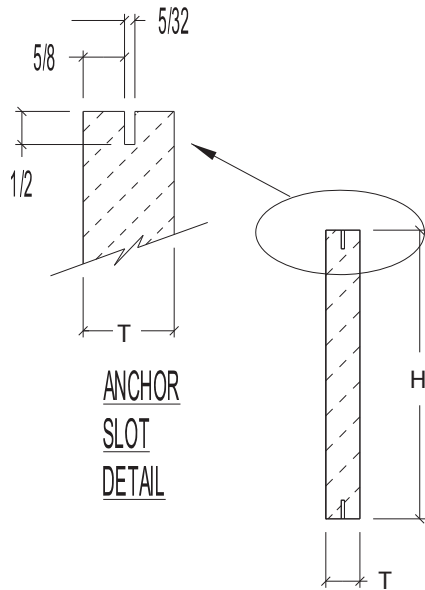


ISOMETRIC

AVAILABLE SIZES:

HEIGHT (H)	LENGTH (L)	STD. DEPTH (D)	STD. THICKNESS (T)
3-5/8"	22-7/8" MAX.	3-5/8"	1-3/8"
7-5/8"	22-7/8" MAX.	3-5/8"	1-3/8"
11-5/8"	22-7/8" MAX.	3-5/8"	1-3/8"

ARRIS•clip SMOOTH FINISHED END STRETCHER

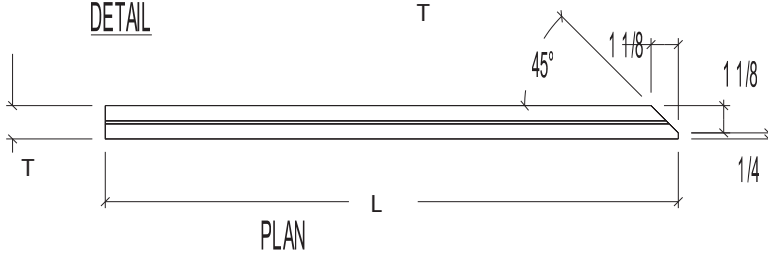
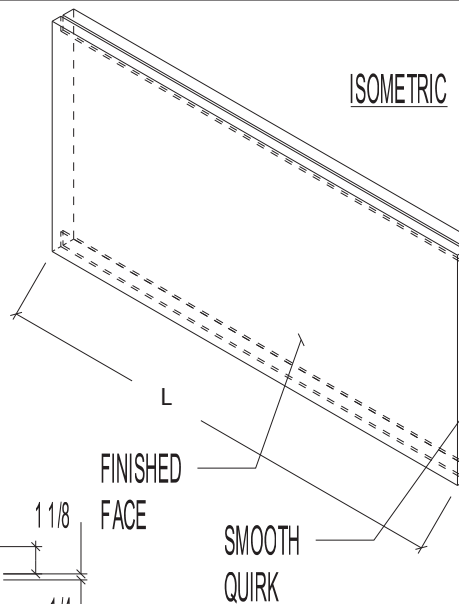
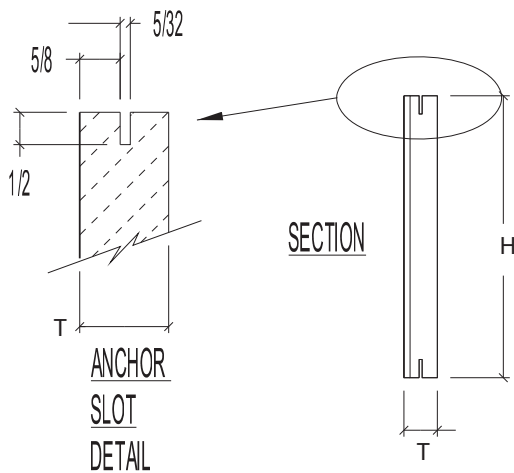


AVAILABLE SIZES:

HEIGHT (H)	LENGTH (L)	STD. THICKNESS (T)
3-5/8"	23-5/8"	1-3/8"
7-5/8"	23-5/8"	1-3/8"
11-5/8"	23-5/8"	1-3/8"

SECTION

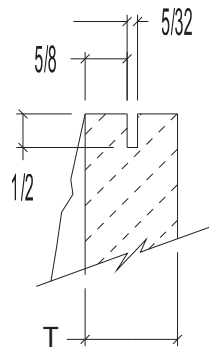
ARRIS•clip SMOOTH QUIRK MITRED STRETCHER



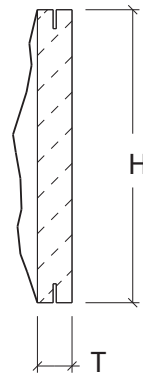
AVAILABLE SIZES:

HEIGHT (H)	LENGTH (L)	STD. THICKNESS (T)
3-5/8"	23-5/8"	1-3/8"
7-5/8"	23-5/8"	1-3/8"
11-5/8"	23-5/8"	1-3/8"

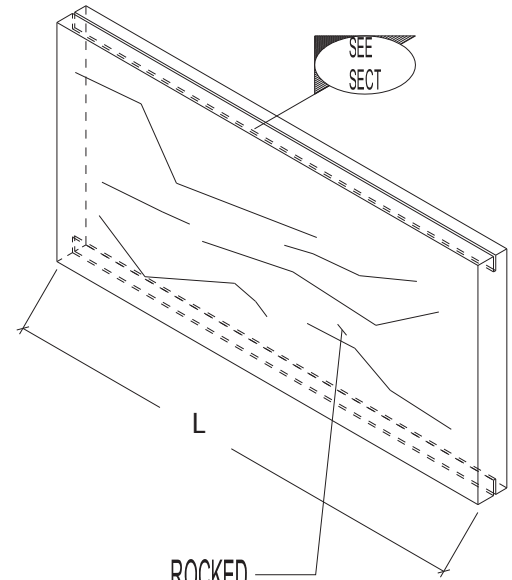
ARRIS•clip ROCKED



ANCHOR
SLOT
DETAIL



SECTION



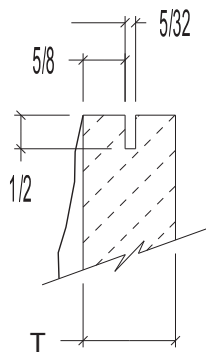
ROCKED
FACE

ISOMETRIC

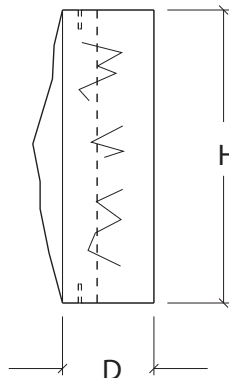
AVAILABLE SIZES:

HEIGHT (H)	LENGTH (L)	STD. THICKNESS (T)
3-5/8"	23-5/8"	1-3/8"
7-5/8"	23-5/8"	1-3/8"
11-5/8"	23-5/8"	1-3/8"

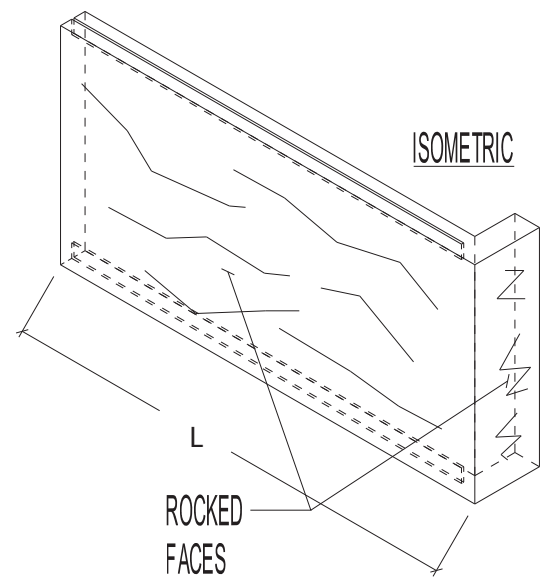
ARRIS•clip RETURN ROCKED



ANCHOR
SLOT
DETAIL



END VIEW



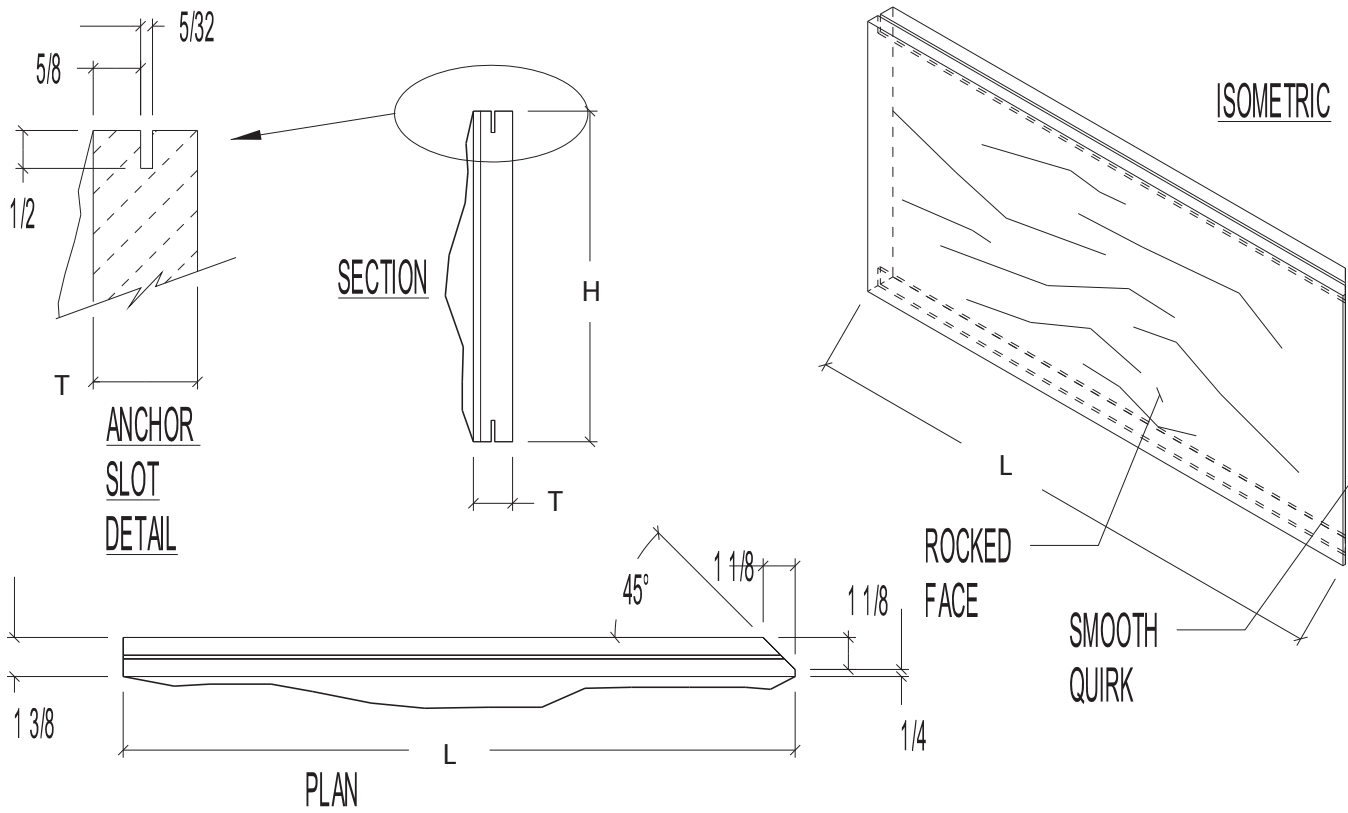
ROCKED
FACES

ISOMETRIC

AVAILABLE SIZES:

HEIGHT (H)	LENGTH (L)	STD. DEPTH (D)	STD. THICKNESS (T)
3-5/8"	22-7/8" MAX.	3-5/8"	1-3/8"
7-5/8"	22-7/8" MAX.	3-5/8"	1-3/8"
11-5/8"	22-7/8" MAX.	3-5/8"	1-3/8"

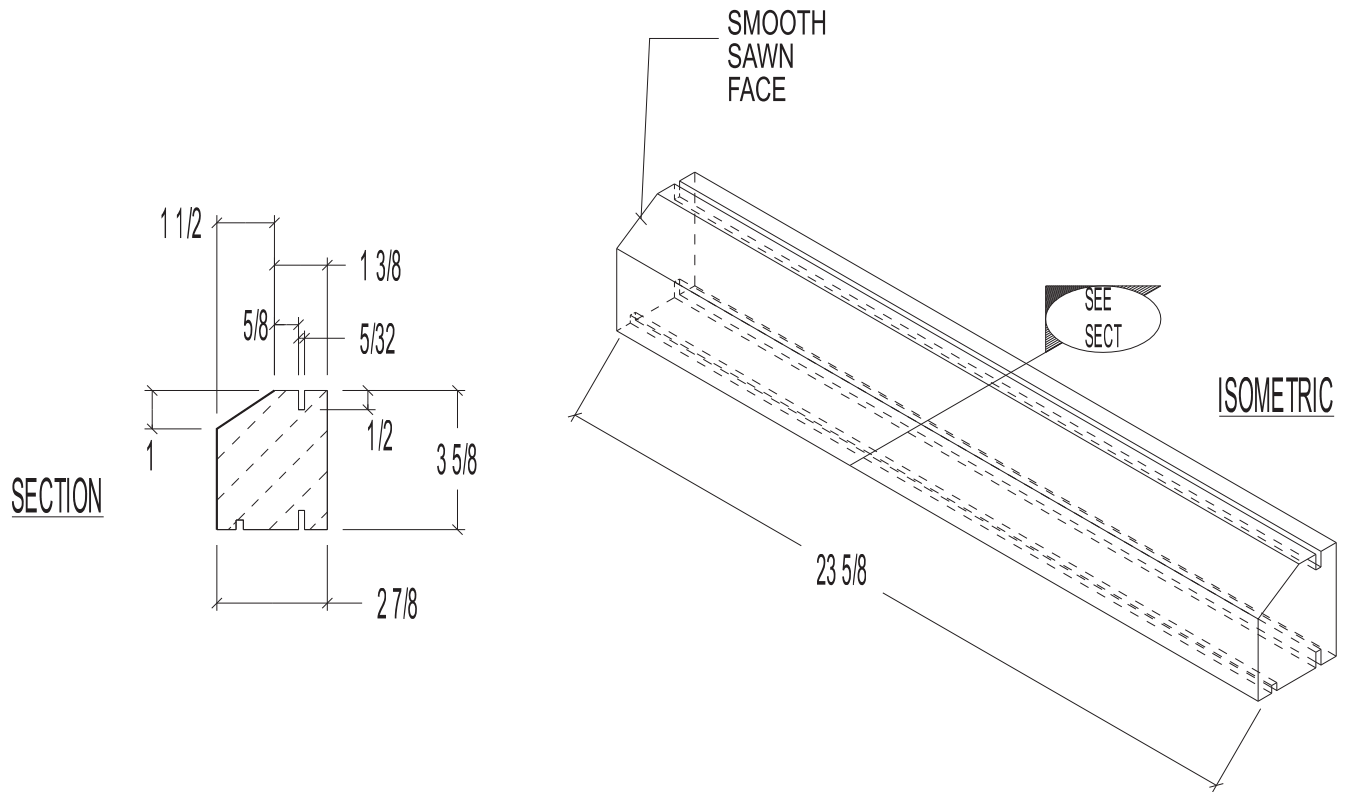
ARRIS-clip ROCKED QUIRK MITRED END



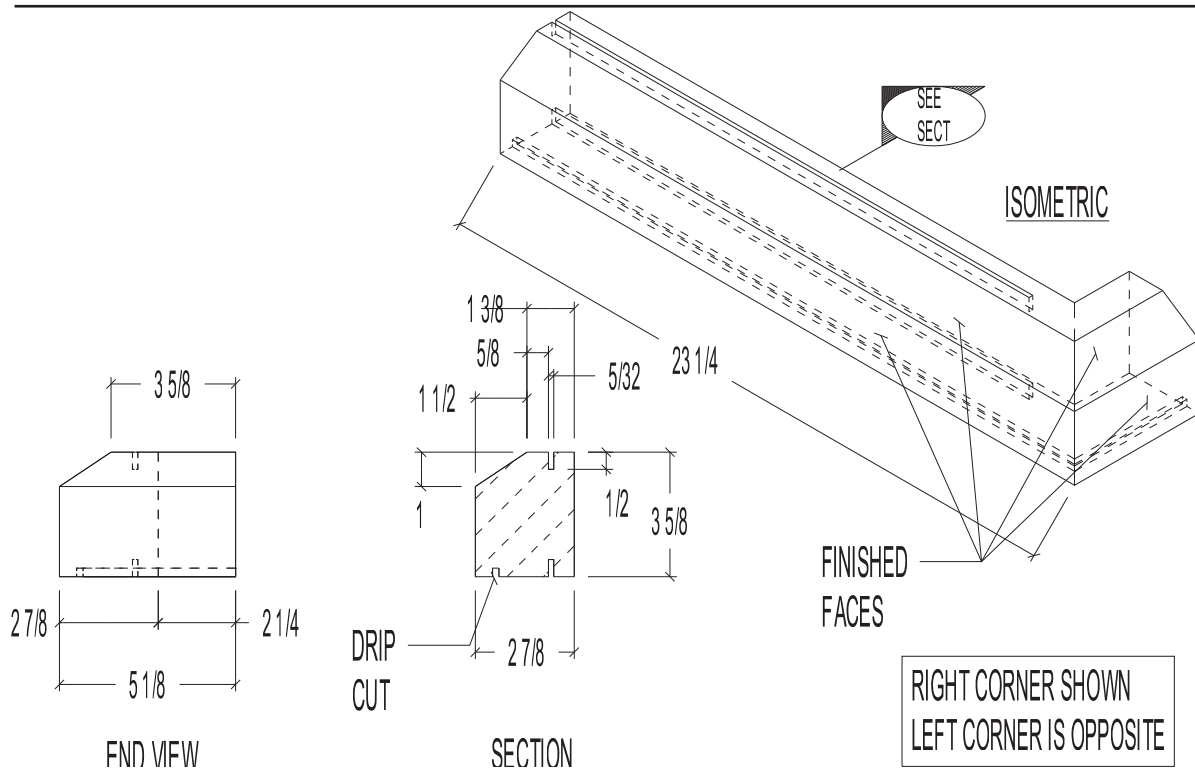
AVAILABLE SIZES:

HEIGHT (H)	LENGTH (L)	STD. THICKNESS (T)
3-5/8"	23-5/8"	1-3/8"
7-5/8"	23-5/8"	1-3/8"
11-5/8"	23-5/8"	1-3/8"

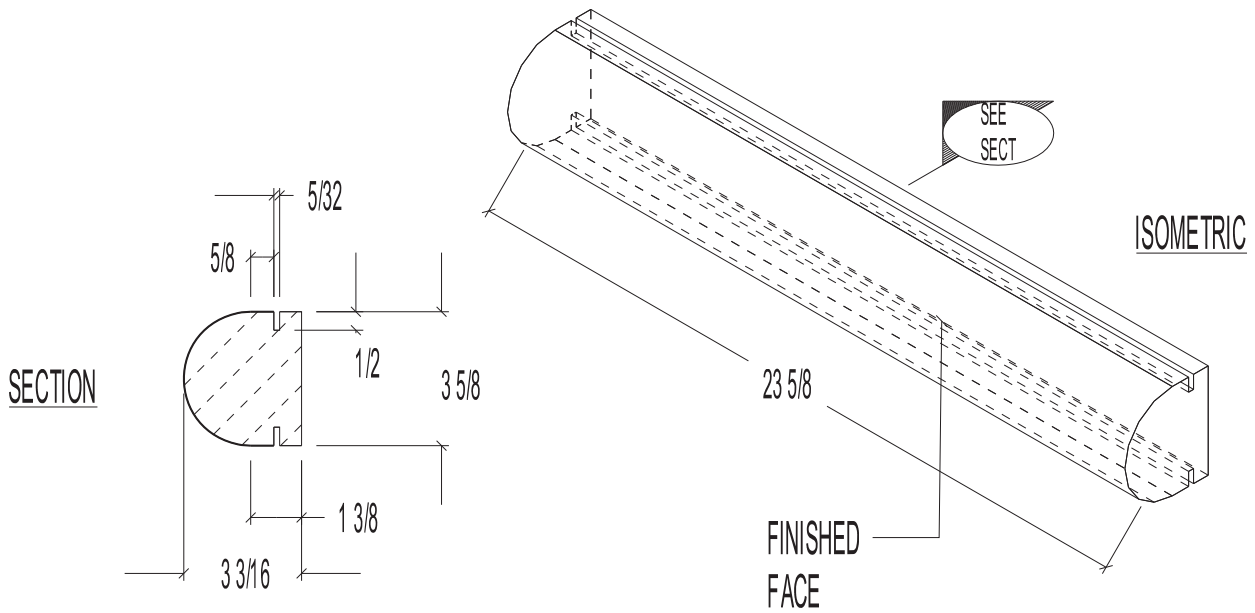
ARRIS•clip SILL



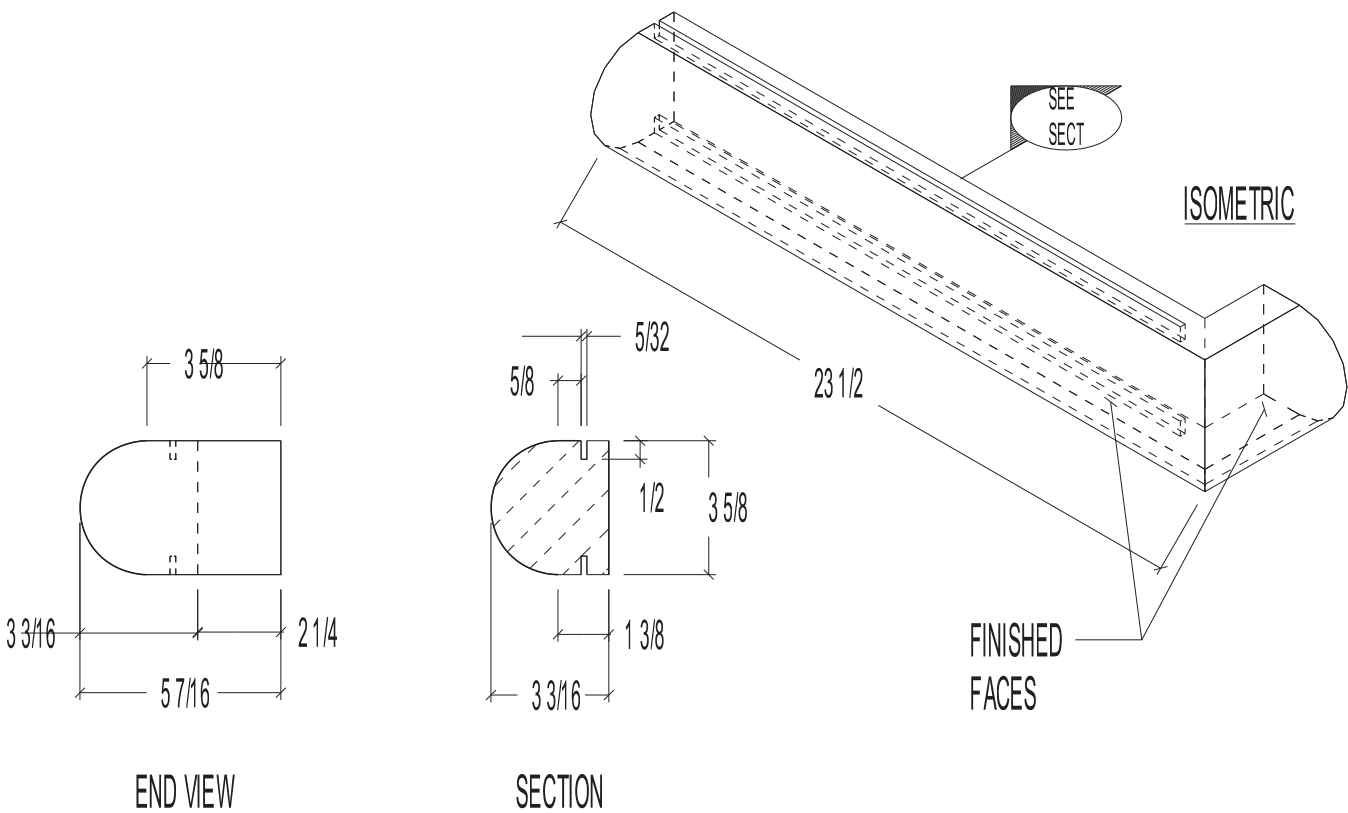
ARRIS•clip SILL RETURN



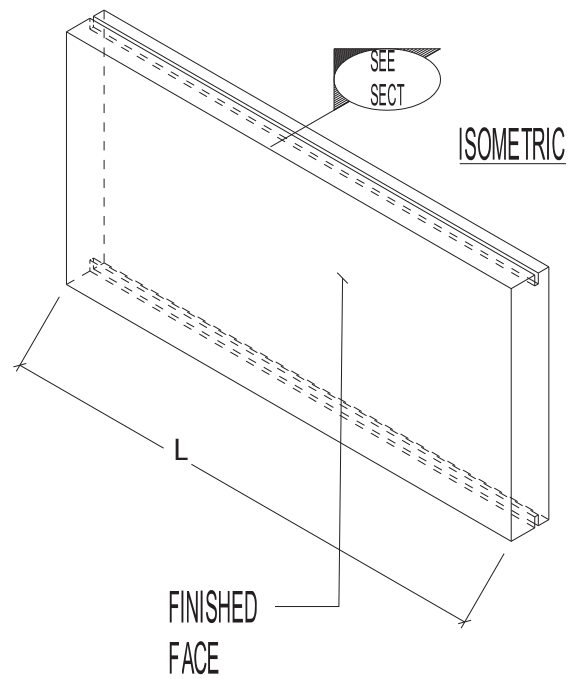
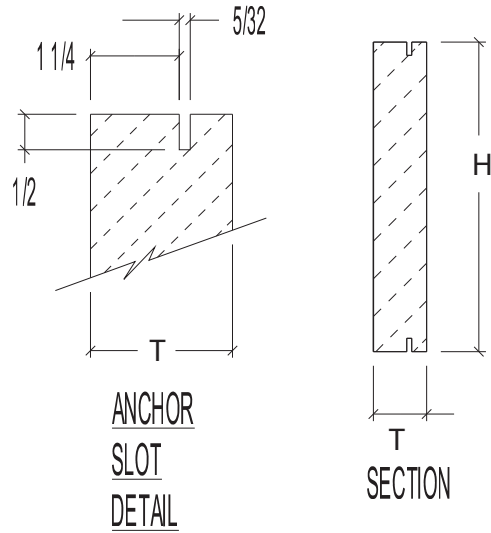
ARRIS•clip BULLNOSE



ARRIS•clip BULLNOSE RETURN



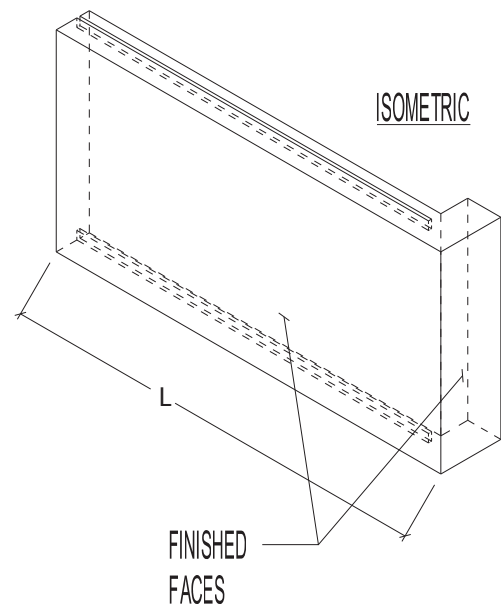
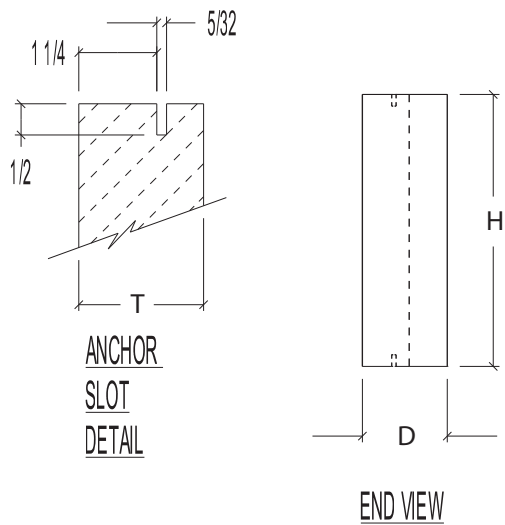
ARRIS•clip EXTRA THICK SMOOTH



AVAILABLE SIZES:

HEIGHT (H)	LENGTH (L)	STD. THICKNESS (T)
3-5/8"	23-5/8"	2"
7-5/8"	23-5/8"	2"
11-5/8"	23-5/8"	2"

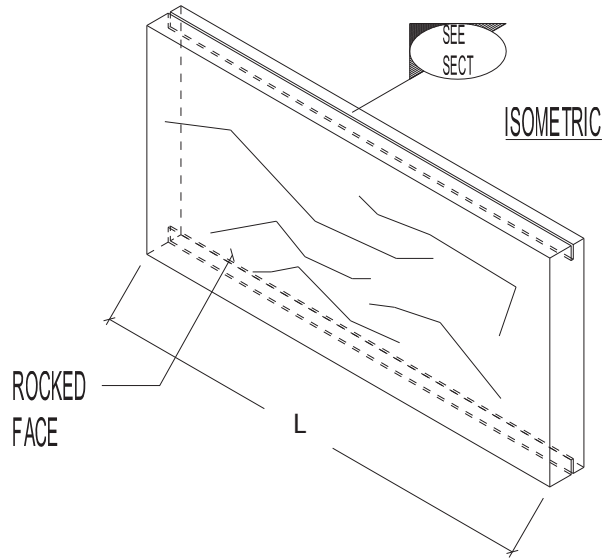
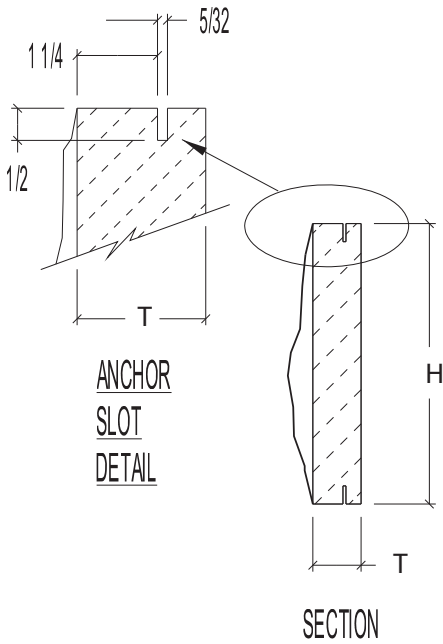
ARRIS•clip EXTRA THICK RETURN SMOOTH



AVAILABLE SIZES:

HEIGHT (H)	LENGTH (L)	STD. DEPTH (D)	STD. THICKNESS (T)
3-5/8"	22-7/8" MAX.	3-5/8"	2"
7-5/8"	22-7/8" MAX.	3-5/8"	2"
11-5/8"	22-7/8" MAX.	3-5/8"	2"

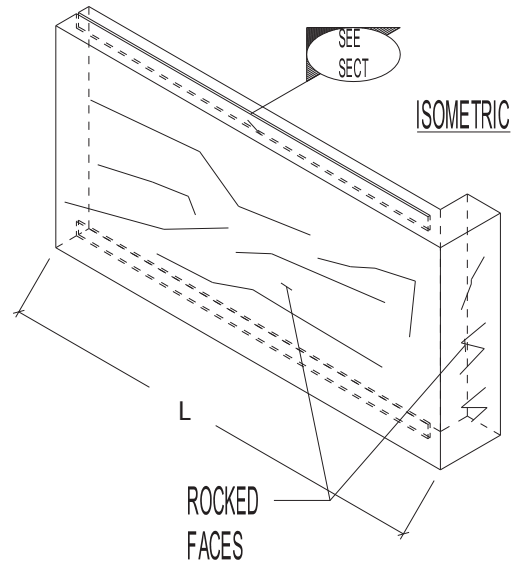
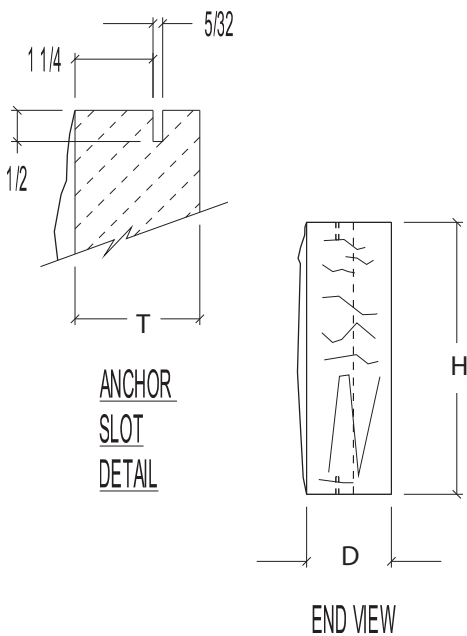
ARRIS-clip EXTRA THICK ROCKED



AVAILABLE SIZES:

HEIGHT (H)	LENGTH (L)	STD. THICKNESS (T)
3-5/8"	23-5/8"	2"
7-5/8"	23-5/8"	2"
11-5/8"	23-5/8"	2"

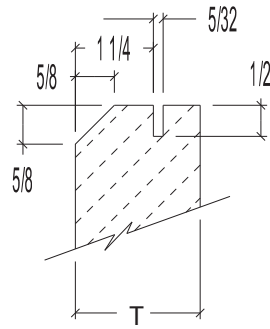
ARRIS-clip EXTRA THICK RETURN ROCKED



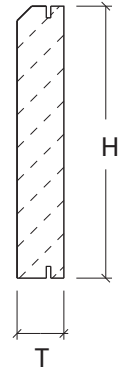
AVAILABLE SIZES:

HEIGHT (H)	LENGTH (L)	STD. DEPTH (D)	STD. THICKNESS (T)
3-5/8"	22-7/8" MAX.	3-5/8"	2"
7-5/8"	22-7/8" MAX.	3-5/8"	2"
11-5/8"	22-7/8" MAX.	3-5/8"	2"

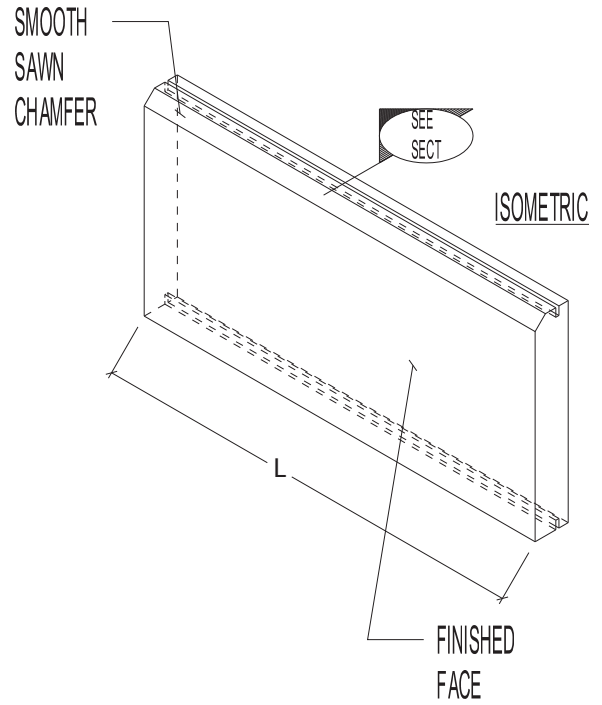
ARRIS•clip EXTRA THICK WITH CHAMFER ON ONE LONG EDGE



ANCHOR SLOT/
CHAMFER DETAIL



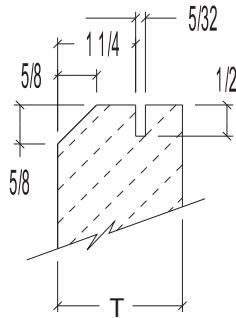
SECTION



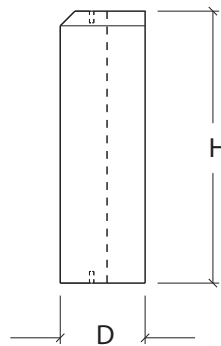
AVAILABLE SIZES:

HEIGHT (H)	LENGTH (L)	STD. THICKNESS (T)
3-5/8"	23-5/8"	2"
7-5/8"	23-5/8"	2"
11-5/8"	23-5/8"	2"

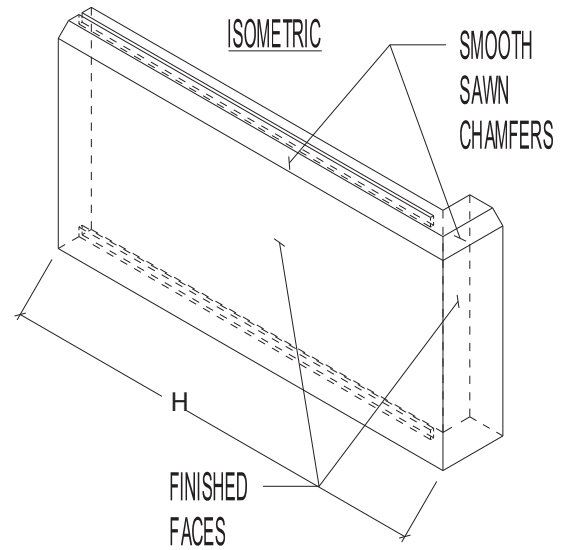
ARRIS•clip EXTRA THICK RETURN WITH CHAMFER ON ONE LONG EDGE



ANCHOR SLOT/
CHAMFER DETAIL



END VIEW

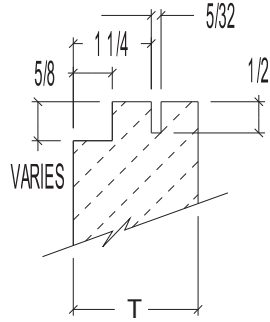


RIGHT RETURN SHOWN
LEFT RETURN OPPOSITE

AVAILABLE SIZES:

HEIGHT (H)	LENGTH (L)	STD. DEPTH (D)	STD. THICKNESS (T)
3-5/8"	22-7/8" MAX.	3-5/8"	2"
7-5/8"	22-7/8" MAX.	3-5/8"	2"
11-5/8"	22-7/8" MAX.	3-5/8"	2"

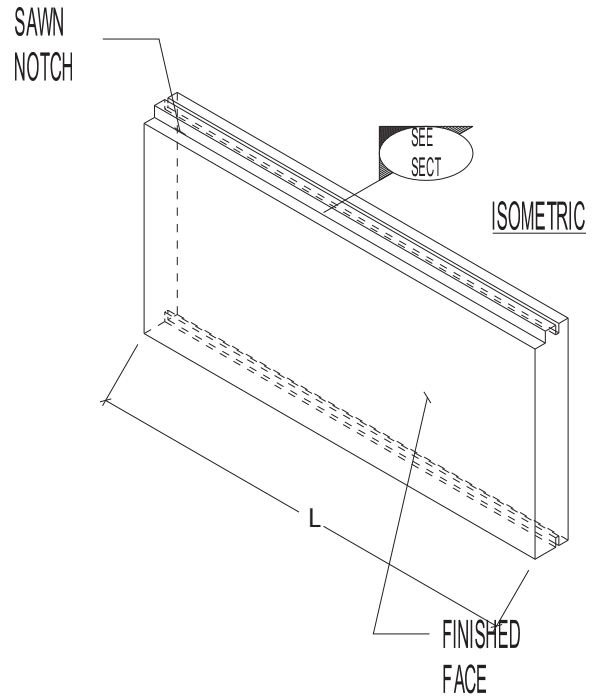
ARRIS[®]clip EXTRA THICK WITH NOTCH ON ONE LONG EDGE



ANCHOR
SLOT
DETAIL



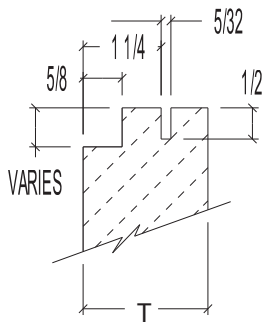
SECTION



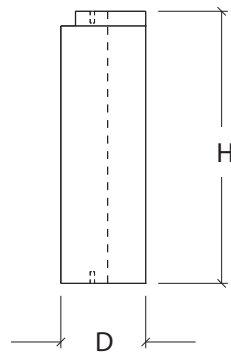
AVAILABLE SIZES:

HEIGHT (H)	LENGTH (L)	STD. THICKNESS (T)
3-5/8"	23-5/8"	2"
7-5/8"	23-5/8"	2"
11-5/8"	23-5/8"	2"

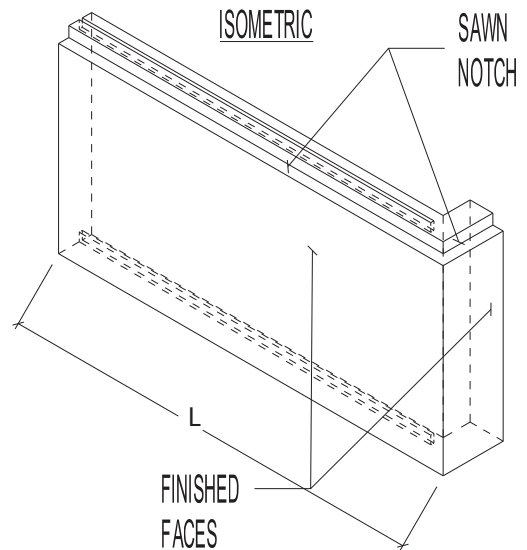
ARRIS[®]clip EXTRA THICK RETURN WITH NOTCH ON ONE LONG EDGE



ANCHOR SLOT/
NOTCH DETAIL



END VIEW

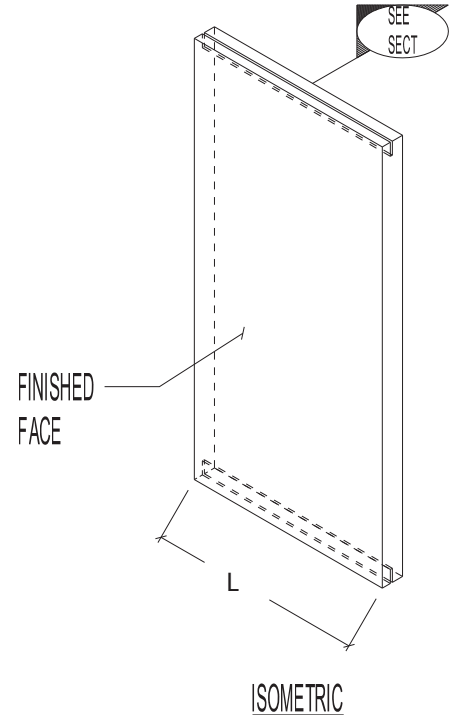
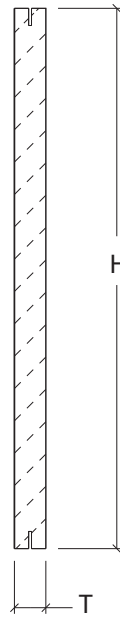
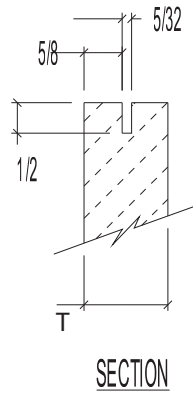


RIGHT RETURN SHOWN
LEFT RETURN OPPOSITE

AVAILABLE SIZES:

HEIGHT (H)	LENGTH (L)	STD. DEPTH (D)	STD. THICKNESS (T)
3-5/8"	22-7/8" MAX.	3-5/8"	2"
7-5/8"	22-7/8" MAX.	3-5/8"	2"
11-5/8"	22-7/8" MAX.	3-5/8"	2"

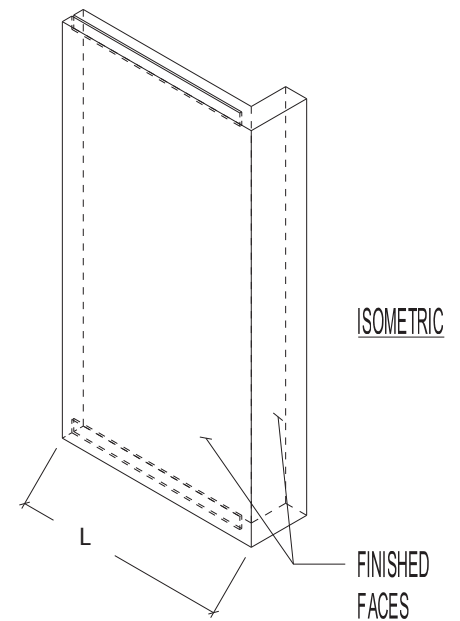
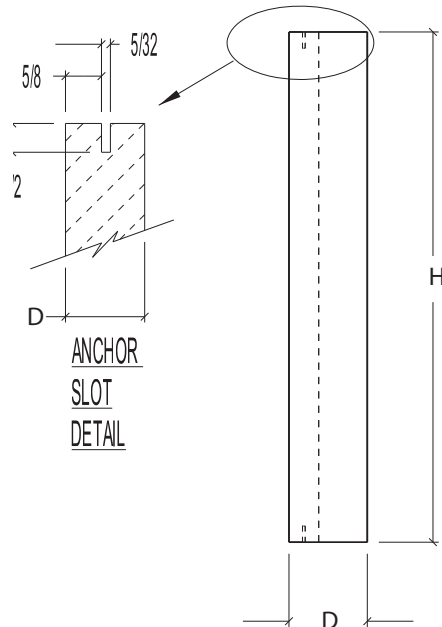
ARRIS•clip SOLDIERED



AVAILABLE SIZES:

HEIGHT (H)	LENGTH (L)	STD. DEPTH (D)	THICKNESS (T)
23-5/8"	3-5/8"	3-5/8"	1-3/8" or 2"
23-5/8"	7-5/8"	3-5/8"	1-3/8" or 2"
23-5/8"	10-7/8"	3-5/8"	1-3/8" or 2"

ARRIS•clip SOLDIERED RETURN



AVAILABLE SIZES:

HEIGHT (H)	LENGTH (L)	STD. DEPTH (D)	THICKNESS (T)
23-5/8"	7-5/8"	3-5/8"	1-3/8" or 2"
23-5/8"	10-7/8"	3-5/8"	1-3/8" or 2"



ARRISCRAFT™

I N T E R N A T I O N A L

BUILDING STONE • BRICK • LIMESTONE

General Shale Brick 

Building The American Dream®

