

# VERSA-LOK® RETAINING WALL UNITS

EASY-TO-INSTALL WALLS WITH A COMPLIMENTARY DESIGN FINISH



## COLOR OPTIONS

Every project is unique. VERSA-LOK® Retaining Wall units are offered in five (5) unique colors and styles to accentuate virtually any project design.



Buff



Chestnut



Gray



Normandy



Sequoia

*Note: Images shown above demonstrate each color in a standard size unit with a weathered finish and tumbled edges.*

## FINISHES & EDGES

The character of a project goes beyond simply color selection. Depending on the desired look of yours, VERSA-LOK® Retaining Wall unit finishes and edge treatments provide that extra bit of character that will truly maximize your project's finished appearance.

### FINISHES

AVAILABLE IN SIZES: STANDARD, SQUARE FOOT, MOSAIC



Smooth-Face



Split-Face



Weathered

### EDGES

AVAILABLE IN SIZES: STANDARD, MOSAIC



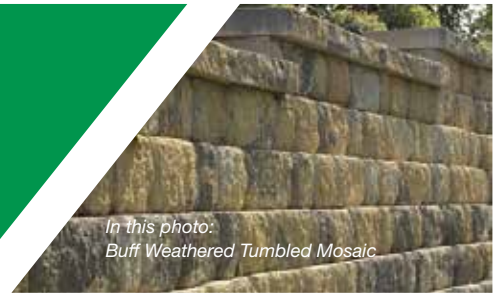
Straight



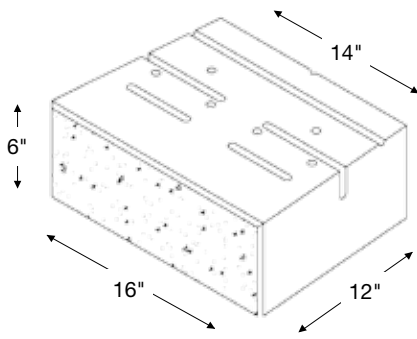
Tumbled

# VERSA-LOK® Units

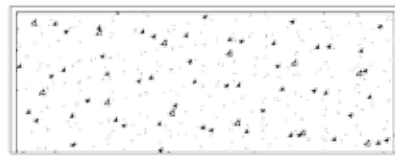
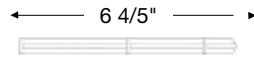
VERSA-LOK® segmental retaining wall units provide a beautiful, yet very structurally efficient solution for any hardscape project and are ideal for walls in excess of 9'-10' in height.



## STANDARD UNIT



Standard Unit Pin | 2 Per Unit



(Panel View)

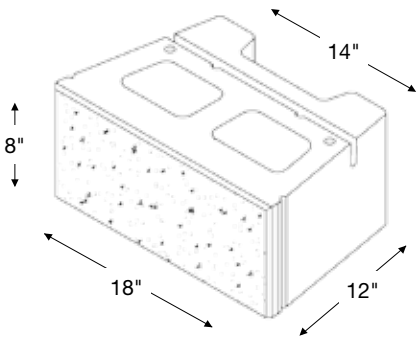
### FINISHES

SMOOTH-FACE, SPLIT-FACE, STANDARD

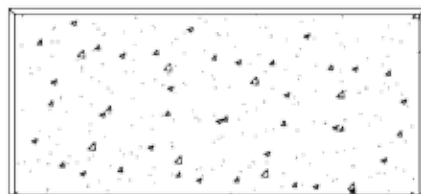
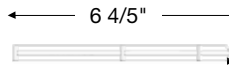
### EDGES

STRAIGHT, TUMBLED

## SQUARE FOOT UNIT



Square Foot Unit Pin | 2 Per Unit



(Panel View)

### FINISHES

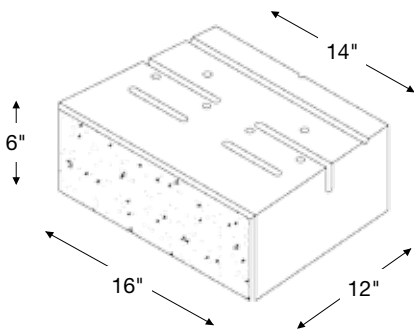
SPLIT-FACE

### EDGES

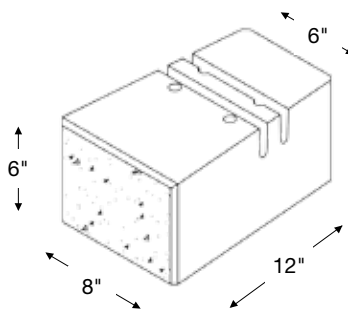
STRAIGHT

## MOSAIC PATTERN UNITS\*

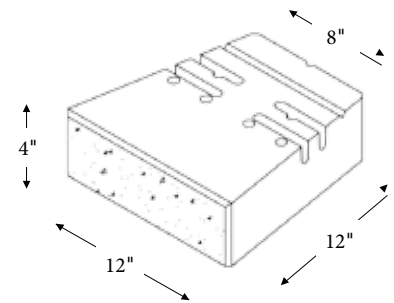
\*Mosaic wall systems are created by combining three individual units (below). See VERSA-LOK® Installation Guide for more panel information.



Standard Unit

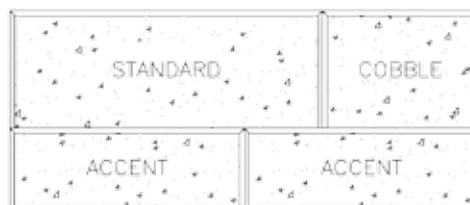
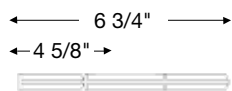


Cobble Unit



Accent Unit

Mosaic "Snap Off" Pin | 2 Per Unit



(Mosaic Panel View)

### FINISHES

SPLIT-FACE, WEATHERED

### EDGES

STRAIGHT, TUMBLED